

PAPER • OPEN ACCESS

The upgrade of the ALICE TPC with GEMs and continuous readout

To cite this article: ALICE TPC collaboration *et al* 2021 *JINST* **16** P03022

View the [article online](#) for updates and enhancements.

You may also like

- [Search for Eccentric Binary Black Hole Mergers with Advanced LIGO and Advanced Virgo during Their First and Second Observing Runs](#)
B. P. Abbott, R. Abbott, T. D. Abbott et al.
- [Model comparison from LIGO–Virgo data on GW170817’s binary components and consequences for the merger remnant](#)
B P Abbott, R Abbott, T D Abbott et al.
- [Advanced LIGO](#)
The LIGO Scientific Collaboration, J Aasi, B P Abbott et al.



The Electrochemical Society
Advancing solid state & electrochemical science & technology

242nd ECS Meeting

Oct 9 – 13, 2022 • Atlanta, GA, US

Abstract submission deadline: **April 8, 2022**

Connect. Engage. Champion. Empower. Accelerate.

MOVE SCIENCE FORWARD



Submit your abstract



The upgrade of the ALICE TPC with GEMs and continuous readout

ALICE TPC collaboration

J. Adolfsson,^o M. Ahmed,^l S. Aiola,^{ai} J. Alme,^d T. Alt,^l W. Amend,^l F. Anastasopoulos,^u C. Andrei,^j M. Angelsmark,^o V. Anguelov,^u A. Anjam,^u H. Appelhäuser,^{l,*} V. Aprodu,^j O. Arnold,^v M. Arslanok,^u D. Baitinger,^{u,x} M. Ball,^g G.G. Barnaföldi,^{ah} E. Bartsch,^l P. Becht,^{u,x} R. Bellwied,^{ab} A. Berdnikova,^{r,u} M. Berger,^v N. Bialas,^l P. Bialas,^l S. Biswas,^a B. Blidaru,^{u,x} L. Boldizsár,^{ah} L. Bratrud,^l P. Braun-Munzinger,^x M. Bregant,^{aa} C.L. Britton,^s S. Brucker,^u E.J. Brücken,^h H. Büsching,^l R. Soto Camacho,ⁱ A.L. Campos,^{aa} G. Caragheorghopol,^j D.D. Carvalho,^{aa} A.J. Castro,^{ad} P. Chatzidaki,^u P. Christiansen,^o L.G. Clonts,^s T.M. Cormier,^s A.L.D. Couto,^{aa} H.G.A. Cubas,^{aa} A. Deisting,^{u,x} P. Dhankher,^k S. Dittrich,^l V. Duta,^j R. Ehlers,^{ai} M. Engel,^g M.N. Ericson,^s N.B. Ezell,^s L. Fabbietti,^v F. Flor,^{ab} G. Föhner,^u U. Frankenfeld,^x E. Futo,^{ah} J.J. Gaardhøje,^q M.G. Munhoz,^{aa} C. Garabatos,^{x,*} P. Gasik,^{v,x,*} T. Geiger,^l Á Gera,^{ah} P. Glässel,^u D.J.Q. Goh,^p O. Grachov,^{ag} A. Grein,^l M. Gul,^w T. Gunji,^{ae} M. Habib,^x H. Hamagaki,^p G. Hamar,^{ah} J.C. Hansen,^q A. Harlenderova,^{u,x} J.W. Harris,^{ai} S. Hassan,^w P. Hauer,^g S. Hayashi,^{ae} S.T. Heckel,^v J. Hehner,^x J.K. Heino,^h E. Hellbär,^l H. Helstrup,^f A. Herghelegiu,^j L. Hernandez da Costa Porto,^{aa} R.A. Hernandez,^{aa} H.D. Hernandez Herrera,^{aa} T. Herold,^u T.E. Hilden,^h B. Hohlweger,^v S. Hornung,^{u,x} C. Hughes,^{ad} S. Hummel,^u M. Ivanov,^x J. Jung,^l M. Jung,^l D. Just,^l E. Kangasaho,^h L. Karayan,^x B. Ketzer,^g S. Kirsch,^l M. Kleiner,^l T. Klemenz,^v S. Klewin,^u A.G. Knospe,^{ab} E. Koskinen,^h M. Kowalski,^y L. Kreis,^x M. Krüger,^l N. Kupfer,^u R. Lang,^v L. Lautner,^v M. Lesch,^v Y. Lesenechal,^e F. Liebske,^l C. Lippmann,^{x,*} V. Litichevskiy,^h M. Ljunggren,^o W.J. Llope,^{ag} S. Mahmood,^c T. Mahmoud,^g R.D. Majka,^{ai,1} C. Markert,^z J. Martinez,^{ab} T.A. Martins,^{aa} S. Masciocchi,^x A. Mathis,^v O. Matonoha,^o Y. Matsuyama,^p A. Matyja,^y M. Meres,^b D.L. Mihaylov,^v D. Miśkowiec,^x T. Mittelstaedt,^u L.S. Montali,^{aa} D.M. Moraes,^{aa} C. Mordasini,^v T. Morhardt,^x S. Muley,^u J. Mulligan,^{ai} R.H. Munzer,^{l,*} H. Murakami,^{ae} K. Mürning,^g A. Nassirpour,^o H. Natal da Luz,^{aa} C. Nattrass,^{ad} R.A. Negrao De Oliveira,^l H.G. Neves,^{aa} B.S. Nielsen,^q W.A.V. Noiye,^{aa} M. Ogino,^p A.C. Oliveira Da Silva,^{ad} A. Oskarsson,^o J. Ottnad,^g K. Oyama,^p A. Öennerstad,^o L. Österman,^o A.A. Pabon,^{aa} Y. Pachmayer,^u G. Paić,^m J. Parkkila,^h S. Pathak,^{ab} R.N. Patra,^{af} V. Peskov,^l M. Petris,^j M. Petrovici,^j M. Planinic,^t F. Pompei,^{ag} L. Prodan,^j A. Radu,^j L. Radulescu,^j J. Rak,^{ac} J. Rasson,^s V. Ratza,^g K.F. Read,^s A. Rehman,^d

¹Deceased.

R. Renfordt,^l K. Røed,^c D. Röhrich,^d E. Rubio,^u T. Rudzki,^x A. Rusu,^s M. Saleh,^{ag}
 B.C.S. Sanches,^{aa} J. Schambach,^z S. Scheid,^l C. Schmidt,^x A. Schmier,^{ad} H. Schulte,^l
 K. Schweda,^x D. Sekihata,^{ae} N. Shimizu,^{ae} S. Siebig,^u R.W.D. Silva,^{aa} D. Silvermyr,^o
 D. Simpson,^s B. Sitar,^b N. Smirnov,^{ai} T. Snellman,^h H.K. Soltveit,^u S.P. Sorensen,^{ad}
 F. Sozzi,^x J. Stachel,^u A. Szabo,^b L. Šerkšnytė,^v Y. Takeuchi,^p G. Tambave,^d Y. Tanaka,^p
 K. Terasaki,^{ae} R.J. Turpeinen,^h K. Ullaland,^d B. Ulukutlu,^v E. Umaka,^{ab} A. Utrobicic,^t
 D. Varga,^{ah} A. Vargas,ⁱ M. Vargyas,^{ac,ah} R. Varma,^k O. Vazquez Rueda,^o A. Velure,^d
 S. Vereschagin,ⁿ S. Vergara Limón,ⁱ L. Vergara Urrutia,^o O. Vorbach,^u B. Voss,^x D. Vranic,^x
 R.J. Warmack,^s T.O. Weber,^{aa} C. Weidlich,^l J. Wiechula,^{l,*} B. Windelband,^u S. Winkler^v
 and W. Witt^{ad}

^aBose Institute, Department of Physics and Centre for Astroparticle Physics and Space Science (CAPSS), Kolkata, India

^bComenius University Bratislava, Faculty of Mathematics, Physics and Informatics, Bratislava, Slovakia

^cDepartment of Physics, University of Oslo, Oslo, Norway

^dDepartment of Physics and Technology, University of Bergen, Bergen, Norway

^eEuropean Organization for Nuclear Research (CERN), Geneva, Switzerland

^fFaculty of Engineering and Science, Western Norway University of Applied Sciences, Bergen, Norway

^gHelmholtz-Institut für Strahlen- und Kernphysik, Rheinische Friedrich-Wilhelms-Universität Bonn, Bonn, Germany

^hHelsinki Institute of Physics (HIP), Helsinki, Finland

ⁱHigh Energy Physics Group, Universidad Autónoma de Puebla, Puebla, Mexico

^jHoria Hulubei National Institute of Physics and Nuclear Engineering, Bucharest, Romania

^kIndian Institute of Technology Bombay (IIT), Mumbai, India

^lInstitut für Kernphysik, Johann Wolfgang Goethe-Universität Frankfurt, Frankfurt, Germany

^mInstituto de Ciencias Nucleares, Universidad Nacional Autónoma de México, Mexico City, Mexico

ⁿJoint Institute for Nuclear Research (JINR), Dubna, Russia

^oLund University Department of Physics, Division of Particle Physics, Lund, Sweden

^pNagasaki Institute of Applied Science, Nagasaki, Japan

^qNiels Bohr Institute, University of Copenhagen, Copenhagen, Denmark

^rNRNU Moscow Engineering Physics Institute, Moscow, Russia

^sOak Ridge National Laboratory, Oak Ridge, Tennessee, U.S.A.

^tPhysics department, Faculty of science, University of Zagreb, Zagreb, Croatia

^uPhysikalisches Institut, Ruprecht-Karls-Universität Heidelberg, Heidelberg, Germany

^vPhysik Department, Technische Universität München, Munich, Germany

^wPINSTECH, Islamabad, Pakistan

^xResearch Division and ExtreMe Matter Institute EMMI, GSI Helmholtzzentrum für Schwerionenforschung GmbH, Darmstadt, Germany

*Corresponding author.

^y*The Henryk Niewodniczanski Institute of Nuclear Physics, Polish Academy of Sciences, Cracow, Poland*

^z*The University of Texas at Austin, Austin, Texas, U.S.A.*

^{aa}*Universidade de São Paulo (USP), São Paulo, Brazil*

^{ab}*University of Houston, Houston, Texas, U.S.A.*

^{ac}*University of Jyväskylä, Jyväskylä, Finland*

^{ad}*University of Tennessee, Knoxville, Tennessee, U.S.A.*

^{ae}*University of Tokyo, Tokyo, Japan*

^{af}*Variable Energy Cyclotron Centre, Kolkata, India*

^{ag}*Wayne State University, Detroit, Michigan, U.S.A.*

^{ah}*Wigner Research Centre for Physics, Budapest, Hungary*

^{ai}*Yale University, New Haven, Connecticut, U.S.A.*

E-mail: harald.appelshaeuser@ikf.uni-frankfurt.de, c.garabatos@gsi.de, p.gasik@gsi.de, c.lippmann@gsi.de, robert.muenzer@cern.ch, jens.wiechula@ikf.uni-frankfurt.de

ABSTRACT: The upgrade of the ALICE TPC will allow the experiment to cope with the high interaction rates foreseen for the forthcoming Run 3 and Run 4 at the CERN LHC. In this article, we describe the design of new readout chambers and front-end electronics, which are driven by the goals of the experiment. Gas Electron Multiplier (GEM) detectors arranged in stacks containing four GEMs each, and continuous readout electronics based on the SAMPA chip, an ALICE development, are replacing the previous elements. The construction of these new elements, together with their associated quality control procedures, is explained in detail. Finally, the readout chamber and front-end electronics cards replacement, together with the commissioning of the detector prior to installation in the experimental cavern, are presented. After a nine-year period of R&D, construction, and assembly, the upgrade of the TPC was completed in 2020.

KEYWORDS: CMOS readout of gaseous detectors; Gaseous imaging and tracking detectors; Micropattern gaseous detectors (MSGC, GEM, THGEM, RETHGEM, MHSP, MICROPIC, MICROMEGAS, InGrid, etc); Time projection Chambers (TPC)

Dedicated to the memory of Richard Daniel Majka

Contents

1	Introduction	1
1.1	ALICE TPC	1
1.2	Upgrade concept	2
2	Gas mixture: choice and handling	3
3	Readout chambers	7
3.1	Mechanical structure	7
3.1.1	GEM foils	7
3.1.2	GEM frames	10
3.1.3	Pad planes and strongbacks	11
3.1.4	Al-bodies	12
3.2	Tests with prototypes	14
3.2.1	Ion backflow and energy resolution	14
3.2.2	Discharge stability	15
3.2.3	Aging	16
3.2.4	Charging-up after ramping	16
3.2.5	Particle identification performance	17
3.3	GEM foil production and quality assurance	18
3.3.1	GEM production	19
3.3.2	Basic QA	19
3.3.3	Advanced QA	20
3.3.4	Foil yield	24
3.4	Assembly overview	24
3.4.1	GEM framing	24
3.4.2	Chamber body assembly	25
3.4.3	ROC assembly	27
3.4.4	Clean room equipment	28
3.4.5	GEM and ROC transportation	29
3.4.6	Database	30
3.5	ROC quality assurance	30
3.5.1	Gas tightness	30
3.5.2	Gain curve	30
3.5.3	Gain and ion backflow uniformity	32
3.5.4	Full-area x-ray irradiation	32
3.5.5	Acceptance tests before/after transportation	32
3.6	Stability tests at CERN	34
3.6.1	Tests at the LHC	35
3.6.2	Tests at GIF++	35

4	High-voltage system	36
4.1	GEM HV system	36
4.1.1	Overview and requirements	36
4.1.2	Cascaded power supply	38
4.1.3	Protection resistor box	39
4.1.4	High-definition current readout	40
4.1.5	High-voltage components	41
4.1.6	Control software	41
4.2	Field cage modification	42
4.2.1	Overview	42
4.2.2	Active powering scheme	43
4.2.3	Control software	44
5	Front-end electronics and readout	44
5.1	System overview	44
5.1.1	General requirements	45
5.1.2	Sampling frequency	46
5.1.3	Common-mode effect and correction	48
5.2	SAMPA	50
5.2.1	Circuit description	51
5.2.2	Physical implementation	53
5.3	Giga-Bit Transceiver optical link	54
5.4	Front-End Card	56
5.4.1	Circuit description	56
5.4.2	Physical implementation	57
5.4.3	Power and cooling	58
5.4.4	Monitoring and control	59
5.4.5	Input protection	59
5.5	Radiation tolerance	60
5.6	SAMPA and FEC quality assurance	61
6	Installation and commissioning	61
6.1	ROC installation	62
6.2	Service Support Wheels	67
6.3	FEC installation	67
6.4	Commissioning	68
6.4.1	Pedestal and noise measurements	69
6.4.2	Pulse-shaping analysis	71
6.4.3	Data taking with an x-ray generator	72
6.4.4	Data taking with the laser calibration system and with random cosmic triggers	76
7	Conclusions	77

1 Introduction

This paper describes the upgrade of the large Time Projection Chamber (TPC) of the ALICE detector at the CERN LHC. The TPC upgrade is an essential pillar of the ALICE upgrade strategy for operation during the proton and heavy-ion beam campaigns at the LHC in Run 3 and Run 4, from 2022 to 2030 [1]. The chief goal of the ALICE upgrade is to exploit the increased Pb–Pb luminosity delivered by the LHC, which corresponds to a minimum-bias interaction rate of up to 50 kHz. This requirement, driven by the focus of the future ALICE physics program on rare probes at low momentum, implies a paradigm shift for the operation of the TPC, where the concept of selective event triggers must be replaced by continuous readout of all detector data. To this end, the TPC upgrade implies the complete replacement of the previous readout system, including the readout wire chambers for gas amplification of ionization electrons, and the front-end electronics.

As a result of a comprehensive R&D campaign, readout chambers (ROCs) using Gas Electron Multipliers (GEMs) [2] in an optimized multilayer configuration were identified to stand up to the technological challenges imposed by continuous TPC operation at high rate, both in terms of detector resolution and operational stability.

Additionally, the new readout scheme requires a complete redesign of the TPC front-end and readout electronics. Besides having to accommodate for the negative signal polarity of the GEM detectors, the new electronics must support the continuous readout scheme which implies that the detector signals have to be sampled continuously while concurrently the acquired data is transferred off-detector at a rate of 3.28 TB s^{-1} . This leads to an increase of the data throughput with respect to the original system by almost two orders of magnitude.

The basic concept of the TPC upgrade and its main components are detailed in [3]. The use of Micro-Pattern Gas Detectors (MPGDs) for a large-scale application like the ALICE TPC demands well-defined assembly and QA protocols and standardized transport and testing procedures to ensure high quality and reliability of the detectors assembled in a distributed production process of several years. In the present paper, we describe the final design and the mass production of the GEMs and the new readout chambers, the new high-voltage (HV) system, and the new front-end electronics. Special emphasis is put on results from production QA, installation and commissioning. A large part of the original TPC, such as the gas system and the field cage, are reused after the upgrade, but some important modifications of existing components became necessary. In particular, the optimization of the electrostatic matching between the field cage and the new readout chambers is also described in this paper.

1.1 ALICE TPC

The TPC is the main tracking and particle identification device in the central barrel of ALICE. It covers a symmetric pseudorapidity interval around midrapidity ($|\eta| < 0.9$) at full azimuth. The active volume of the TPC has a cylindrical shape with length and outer diameter of about 5 m, resulting in a total active volume of 88 m^3 . It employs a cylindrical field cage with a high-voltage electrode in its center, dividing the active volume into two halves (see figure 1). Each of the two endplates houses 18 inner and outer readout chambers (IROCs and OROCs), respectively, which are arranged in pairs to form 18 equal azimuthal sectors. In the original TPC, the readout chambers were based on multiwire proportional chamber (MWPC)-technology. The TPC was successfully

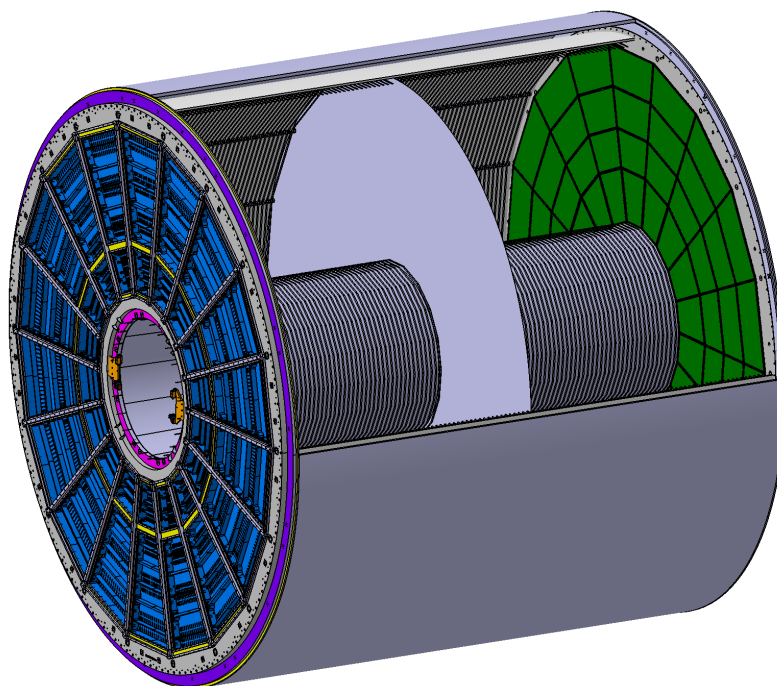


Figure 1. Schematic view of the ALICE TPC.

operated in pp, p–Pb, Pb–Pb and Xe–Xe collisions at a variety of collision energies during LHC Run 1 and Run 2. For further details see [5, 6].

1.2 Upgrade concept

The main objective of the TPC upgrade is to provide sensitivity to a minimum-bias interaction rate of 50 kHz in Pb–Pb collisions, as foreseen for LHC operation in Run 3 and beyond. This goal requires elimination of the intrinsic trigger rate limitation of the original MWPC-based TPC [5, 7]. The limitation to about 3 kHz was imposed by the operation of an active ion gating grid, which is used to collect ions from the amplification region and prevent them from drifting back into the drift volume, where they would lead to substantial space-charge distortions of the drift field. Further limitations in MWPC-based readout chambers arise from space-charge effects at the amplification wires and ion tail accumulation, both resulting in substantial rate-dependent non-linearities of the signal response. Despite the tightened operational demands, the ambitious ALICE physics program for Run 3 and Run 4 does not allow a degradation with respect to the excellent momentum and dE/dx resolution of the original TPC. The design considerations emerging from these challenging requirements and their technical solutions were worked out in an extensive R&D program [3, 9] and will be briefly outlined below.

Operation of the TPC at a collision rate of 50 kHz implies that on average five collision events pile up within the TPC readout time window of about $100\ \mu\text{s}$, as given by the typical electron drift time over the maximal drift length of 2.5 m. This excludes triggered operation and defines the need for continuous readout, demanding novel gas amplification techniques which provide sufficient ion blocking without an active gate. The requirement to keep the ion-induced space-charge distortions

at a tolerable level leads to an upper limit of 2% for the fractional ion backflow, i.e. the ion escape probability per effective electron-ion pair produced in the gas amplification stage, at the operational gas gain of 2000 in a Ne-CO₂-N₂ (90-10-5) gas mixture [3]. At the same time, the readout system must ensure that the dE/dx resolution of the TPC is preserved, which translates into a required local energy resolution better than 14% at the ⁵⁵Fe-peak [9].

GEMs [2] provide a viable solution to this challenge [3, 4]. They can be easily stacked in layers, allowing separation of several amplification stages. After a careful optimization of the gain share among the GEMs and the electric transfer fields between them, the drift path of back-drifting ions that emerge from subsequent layers can be efficiently blocked [8]. R&D studies have demonstrated that sufficient ion blocking can be achieved when stacks of four GEMs are used, and foils with standard (S, 140 μm) and large (LP, 280 μm) hole pitch are combined to an S-LP-LP-S configuration, as shown in figure 2. The main feature of this highly optimized setting is a very low transfer field E_{T3} between GEM 3 and GEM 4 of only 100 V cm⁻¹, whereas the other transfer fields and the induction field E_{ind} are kept at typical values around 3500 V cm⁻¹.

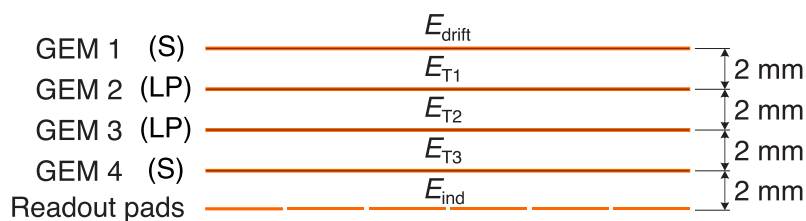


Figure 2. Schematic setup with four GEMs.

The result for the optimized S-LP-LP-S configuration is shown in figure 3 for different GEM voltage settings at the nominal gas gain of 2000 (from [3]). The data exhibit a characteristic anti-correlation between ion backflow and the relative energy resolution $\sigma(^{55}\text{Fe})$. Detailed simulations and studies with prototypes have demonstrated that the performance limit is largely determined by the operational conditions of the first GEM (GEM 1) in the stack. While the drift path of ions created at the following GEMs can be efficiently blocked by the upper GEM layers, provided a proper adjustment of the GEM voltages and electric transfer fields, those ions emerging from GEM 1 have a large probability to escape into the drift volume. The number of ions produced at GEM 1 can be minimized by reducing the gas amplification, however, this leads to a loss of effective primary ionization and therefore to a degradation of the energy resolution.

As shown in figure 3, an extended operational region with ion backflow below 2% and $\sigma(^{55}\text{Fe}) < 14\%$ can be found with an S-LP-LP-S setup, well in line with the required detector performance. The final choice of the working point must also be optimized with respect to operational stability under the radiation load expected in Run 3. The minimization of the ion space-charge density requires also the operation of the readout chambers at the lowest possible gas gain, leading to a challenging front-end noise requirement of ENC of around 670 e . A summary of the most important TPC parameters is given in table 1.

2 Gas mixture: choice and handling

The gas mixture chosen for the operation of the upgraded TPC is Ne-CO₂-N₂ (90-10-5) (i.e. 90 parts of Ne, 10 parts of CO₂, and 5 parts of N₂). The main reason for this choice is the higher ion

Table 1. Parameters of the upgraded TPC.

Detector gas	Ne-CO ₂ -N ₂ (90-10-5)
Gas volume	88 m ³
Drift voltage	100 kV
Drift field	400 V cm ⁻¹
Maximal drift length	250 cm
Electron drift velocity	2.58 cm μs ⁻¹
Maximum electron drift time	97 μs
$\omega\tau$ ($B = 0.5$ T)	0.32
Electron diffusion coefficients	$D_T = 209 \mu\text{m}/\sqrt{\text{cm}}$, $D_L = 221 \mu\text{m}/\sqrt{\text{cm}}$
Ion drift velocity	1.168 cm ms ⁻¹
Maximum ion drift time	214 ms
Readout chambers	
Total number	$2 \times 2 \times 18 = 72$
Readout technology	4-GEM stack, single mask, standard (S, 140 μm) and large (LP, 280 μm) hole pitch GEMs in S-LP-LP-S configuration
Effective gas gain	2000
Inner (IROC)	
Total number	$2 \times 18 = 36$
Active range	$848.5 < r < 1321$ mm
Pad rows	63
Total pads (IROC)	5280
S:N (MIP)	20:1
Outer (OROC)	
Total number	$2 \times 18 = 36$
Active range	$1347 < r < 2464$ mm
Total pads (OROC)	9280
S:N (MIP)	30:1
Pad rows	89
OROC 1	
Active range	$1347 < r < 1687$ mm
Pad rows	34
Number of pads	2880
OROC 2	
Active range	$1708 < r < 2068$ mm
Pad rows	30
Number of pads	3200
OROC 3	
Active range	$2089 < r < 2464$ mm
Pad rows	25
Number of pads	3200
Readout electronics	
Number of channels	524160
Signal polarity	negative
Average system noise (ENC)	670 e
Conversion gain	20 mV fC ⁻¹
Dynamic range	100 fC
Peaking time	160 ns
ADC number of bits	10
ADC sampling rate	5 MHz
Power consumption (total)	56 mW per channel

Table 2. Ionization and electron transport properties of a few gas mixtures used in modern TPCs, as calculated with the Magboltz [14] and Garfield [15] packages for an electric field of 400 V cm^{-1} .

Gas	Eff. ionization energy W_i (eV)	Number of electrons per MIP		Drift velocity v_d ($\text{cm } \mu\text{s}^{-1}$)	Diffusion coeff.		
		N_p (primary) (e cm^{-1})	N_t (total) (e cm^{-1})		D_L ($\mu\text{m}/\sqrt{\text{cm}}$)	D_T ($\mu\text{m}/\sqrt{\text{cm}}$)	$\omega\tau$
Ne-CO ₂ -N ₂ (90-10-5)	37.3	14.0	36.1	2.58	221	209	0.32
Ne-CO ₂ (90-10)	38.1	13.3	36.8	2.73	231	208	0.34
Ar-CO ₂ (90-10)	28.8	26.4	74.8	3.31	262	221	0.43
Ne-CF ₄ (80-20)	37.3	20.5	54.1	8.41	131	111	1.84

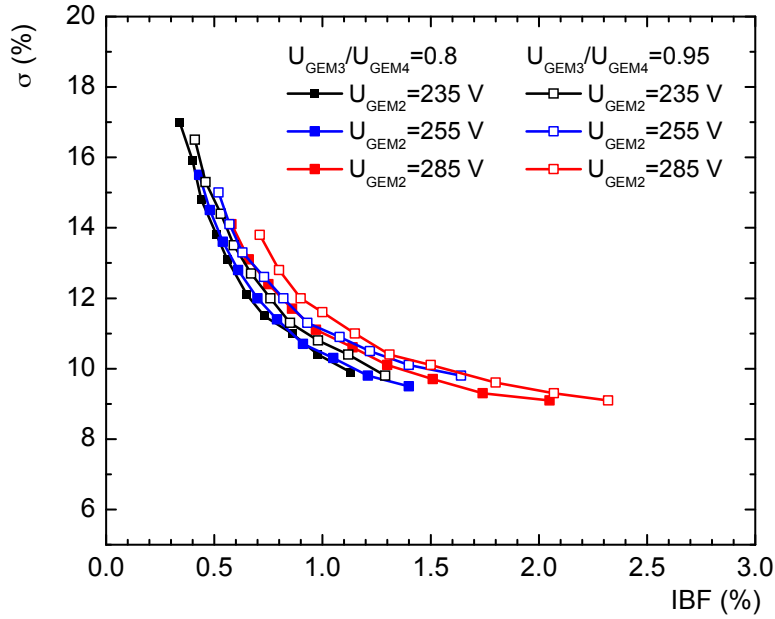


Figure 3. Energy resolution $\sigma(^{55}\text{Fe})$ as a function of ion backflow (IBF) in a 4-GEM stack (S-LP-LP-S) in Ne-CO₂-N₂ (90-10-5). The gas gain is kept at 2000 in all measurements by adjusting the voltages on GEM 3 and GEM 4 at a fixed ratio of 0.8 or 0.95 (from [3]).

mobility of Ne mixtures compared to similar Ar-based mixtures (see figure 4) [10]. This directly reduces the size of the space-charge distortions by nearly a factor of 2.

The effective ion mobility of the Ne-CO₂-N₂ (90-10-5) mixture is $2.92 \text{ cm}^2 \text{ V}^{-1} \text{ s}^{-1}$ [11]. At a drift field of 400 V cm^{-1} it takes ions 214 ms to reach the central electrode from the readout plane. Therefore, at 50 kHz up to 10^4 collisions partially contribute, with their particular multiplicity, angular, and energy-loss fluctuations, to the space-charge distribution at any time. Higher concentrations of CO₂ rapidly result in a decrease of the electron and also ion drift velocities. Other quenchers have been discarded: hydrocarbons because of ageing and flammability considerations, CF₄ because of the extensive R&D required to validate this gas for operation in an existing field cage. In addition, Ne-based mixtures, in particular with the addition of N₂, have demonstrated high stability against primary discharges (see [12] and section 3.2.2). N₂ is a well suited quencher for Ne [13], and it has little impact on the electron and ion transport properties of Ne-CO₂ (90-10), as shown in table 2.

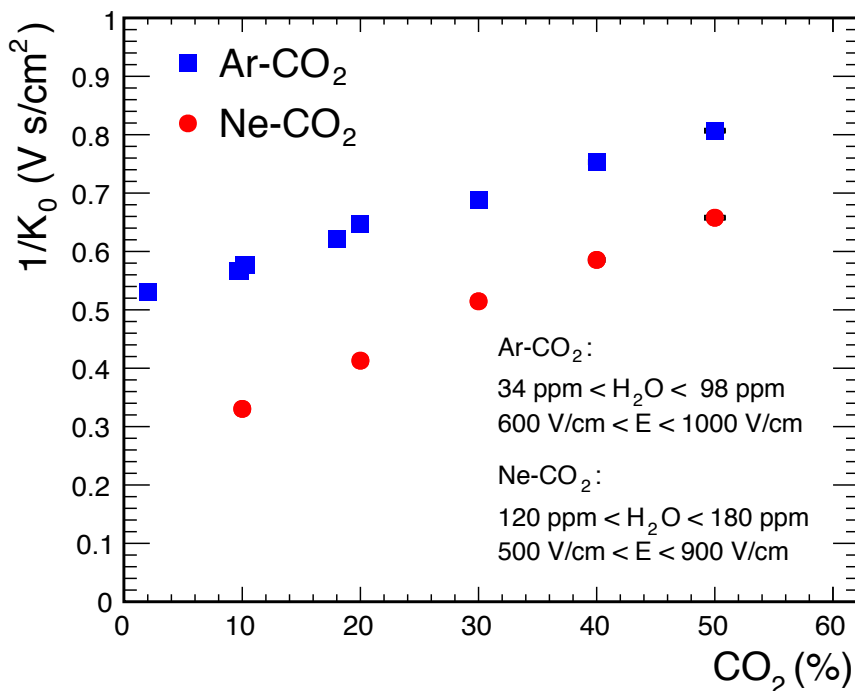


Figure 4. The inverse of the ion mobility coefficient for Ar-CO₂ (90-10) and Ne-CO₂ (90-10) gas mixtures as a function of the CO₂ concentration. Data taken from [11].

Since the TPC has already been operated with this gas mixture, no changes to the existing gas hardware are necessary. The TPC gas system operates in a closed-loop mode. This allows for circulation of the gas through the 88 m³ detector volume at high flows with little waste of expensive neon. In addition, in closed-loop systems the gas flow and the detector overpressure are decoupled. The TPC is operated at a very low overpressure relative to the atmospheric one, by means of a regulated bypass mechanism around the compressor. The compressor not only forces the gas to circulate, but also provides a high-pressure section in the system. This high pressure is used for gas storage and efficient gas cleaning and separation. Thus, a buffer is used to store gas in order to provide or to remove gas from the detector to keep its overpressure constant. Oxygen is removed from the gas with cartridges filled with a copper catalyser agent.

For filling the detector with the final gas mixture, it is first entirely flushed with CO₂ in an open loop, and then, in a closed loop, the necessary fraction of CO₂ is removed with cartridges filled with a molecular sieve, and replaced with neon. Therefore, only one system volume of neon is used to reach the correct concentration. The N₂ is injected at the end of this process. The system allows for the controlled addition of H₂O (~100 ppm) in order to avoid highly non-conductive surfaces in regions of high electric fields. A low flow of gas mixture is continuously injected from a mixer into the loop. This extra gas allows for small streams of gas taken from various points to be vented through an analysis chain, for O₂ and H₂O measurements, and a gas chromatograph, for monitoring the gas composition. This information is also available to the data calibration software. The ultimate protection for any over- or under-pressure in the TPC is provided by a high-capacity two-way safety bubbler, located at the detector, which ensures a relief pressure of ± 2 mbar.

The two envelope volumes between the field cage vessels and the containment vessels are continuously flushed with CO₂ with an admixture of 0.1% of H₂O, in order to ensure proper HV insulation under high loads.

3 Readout chambers

To fulfil the challenging requirements of the ALICE upgrade (see section 1), a novel configuration of GEM detectors was developed. By stacking four GEM foils operated at an optimized field configuration, excellent particle identification and efficient ion blocking are achieved (see figure 3).

A GEM [2] is a gaseous detector made of a 50 μm thin insulating polyimide foil with 2–5 μm thick Cu layers on both sides. The foil is perforated by photolithographic processing, forming a dense, hexagonal pattern of double-conical holes. The holes have an inner (polyimide) diameter of 50 μm, and an outer (copper) diameter of 70 μm. By applying a suitable potential across the foil, charge amplification can be produced in the high electric field region inside the holes. The baseline solution of the amplification structure for the upgrade employs GEM foils with standard (S) and large-pitch (LP) geometry, with the hole pitches of 140 μm and 280 μm, respectively, and corresponding optical transparency of ~24% and ~6%. The foils are stacked in the following order: S-LP-LP-S. A detailed description of the baseline configuration and its performance is presented in section 3.1.1.

3.1 Mechanical structure

The TPC readout sectors, each covering 20° in azimuth, are segmented radially into two regions equipped with an inner and an outer readout chamber (IROC and OROC). The mechanical structure of the readout chambers (ROCs) follows closely the design of the original MWPC-based detectors with the dimensions indicated in figure 5. A chamber consists of: a trapezoidal aluminium frame (*Al-body*), a *pad plane* made of a multilayer Printed Circuit Board (PCB) and separated from the Al-body by a fiberglass plate (*strongback*), and a stack of four GEM foils glued onto fiberglass epoxy frames, each containing a spacer cross (see figure 6).

An IROC is assembled from one Al-body, the strongback, pad plane and GEM stack each. An OROC, on the other hand, is assembled from one Al-body and strongback, and three pad planes plus three GEM stacks. The three stacks are labeled OROC 1, OROC 2 and OROC 3, where OROC 1 is the stack closest to the IROC (see figure 5). The total weight of an assembled chamber is ~12 kg and ~46 kg for IROC and OROC, respectively.

3.1.1 GEM foils

The GEM foils for the ALICE TPC upgrade were produced by the CERN Micro-Pattern Technologies laboratory [16] using the so-called single mask technique [17]. Their trapezoidal shape is defined by the size and shape of the readout chambers. Due to limitations on the size of the raw material, the OROCs are equipped with three independent GEM stacks, as summarized in table 3.

The four GEMs in a stack are named, from top to bottom (i.e. from drift to pad plane): GEM 1, GEM 2, GEM 3, and GEM 4. For each GEM a potential difference $\Delta V_{\text{GEM}i}$ (where $i = 1, \dots, 4$ is the number of the GEM in the stack) is applied. Transfer fields in the gaps between GEMs are called, from the top, E_{T1} , E_{T2} , E_{T3} . The last gap, between GEM 4 and the pad plane, is the induction

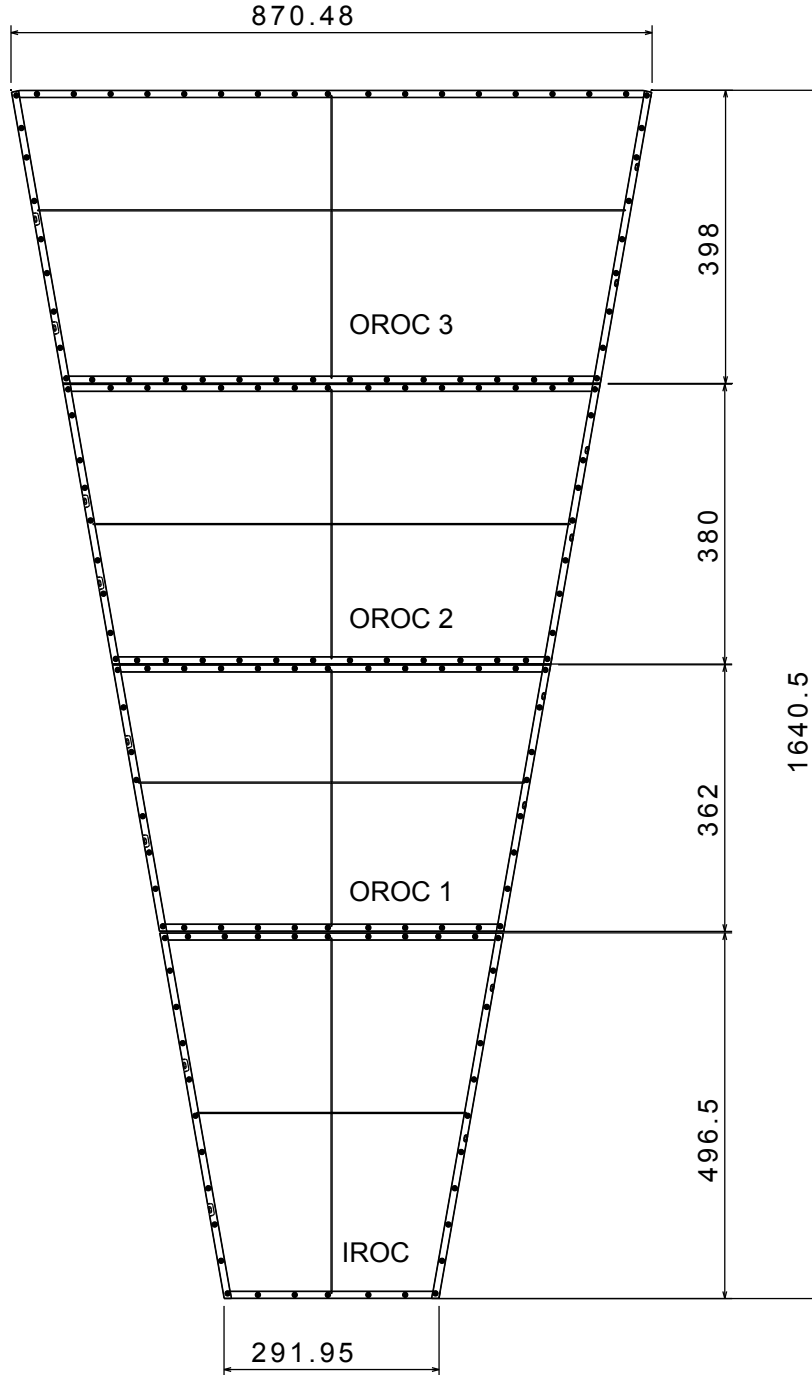


Figure 5. Dimensions (mm) of the ALICE TPC readout chambers.

gap with the associated induction field E_{ind} . Typical HV settings applied to the stacks are discussed in section 4.1.1.

The baseline configuration of the detector was defined after an extensive R&D phase. Several parameters were carefully optimized in order to minimize the ion backflow of the final system and improve the uniformity across the area of individual readout chambers (see section 3.2 for more

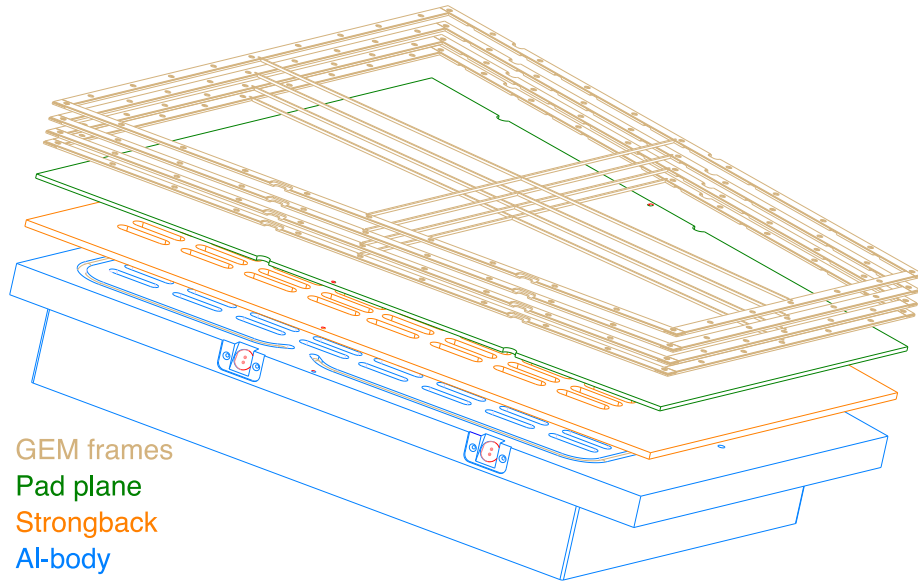


Figure 6. Exploded view of an IROC with chamber body components and GEM frames. See text for more details.

Table 3. Size and geometrical characteristics of the GEM foils. The width is indicated by the long (short) side of the trapezoid.

GEM type	height (mm)	width (mm)	# HV segments	avg. segment size (cm ²)
IROC	497	467 (292)	18	93
OROC 1	362	595 (468)	20	87
OROC 2	380	730 (596)	22	105
OROC 3	398	870 (730)	24	122

Table 4. Specification of GEM foils in a quadruple-GEM stack.

foil in a stack	type	pitch (μm)	relative orientation
GEM 1	S	140	0°
GEM 2	LP	280	90°
GEM 3	LP	280	0°
GEM 4	S	140	90°

details). The resulting configuration for each GEM foil in a stack in terms of hole pitch and relative orientation of the GEM hole pattern is shown in table 4.

Figure 7 shows the most important features of the GEM design. The top side of each foil is subdivided into individual HV segments with an area of $\sim 100\text{ cm}^2$, in order to limit the total charge in case of electrical discharges [28] and to minimize the affected area of a stack in case a

segment develops a short. The gap between the adjacent segments is $200\ \mu\text{m}$, with an additional $100\ \mu\text{m}$ space between the segment boundaries and the GEM holes to accommodate a possible mask misalignment during foil production. Each segment is connected via a $5\ \text{M}\Omega$ SMD 1206,¹ loading resistor to the common HV distribution, which is a $1\ \text{mm}$ wide copper trace running along three sides of the foil. The resistor footprints are located parallel to the segment boundary. Electric potentials are applied to a foil by wires soldered to HV flaps placed on the top and bottom sides of the foil (see section 3.4.3 for more details).

Special emphasis is put on the high-voltage stability and integrity of the readout chambers installed in the final position, including situations like a trip² of individual GEM stacks or entire readout chambers. In such a case, a large potential difference of up to $3.6\ \text{kV}$, depending on the applied settings, may occur between the top electrodes of two neighboring stacks. Hence the distance between any conducting surface and the foil boundary is never less than $5\ \text{mm}$, resulting in a $13\ \text{mm}$ gap between HV electrodes of neighboring stacks. This arrangement is robust against electrical discharges under the operating gas mixture. In order to reduce the electric field at all boundaries, all copper corners are rounded with a radius of at least $0.5\ \text{mm}$.

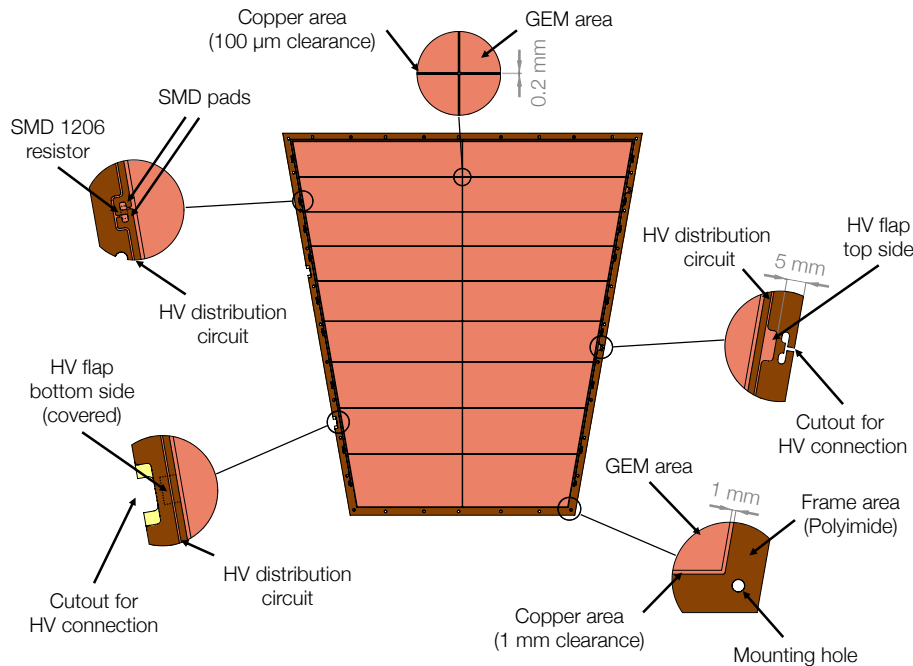


Figure 7. GEM design details. Adopted from [18].

3.1.2 GEM frames

Before mounting on a stack, the GEM foils are stretched and glued on $2\ \text{mm}$ thick frames made of Vetronite EGS 103 [19], an epoxy glass fabric laminate (G-11 type). Sets of four $10\ \text{mm}$ wide ledges form frames with the size of each GEM type (see table 3). The ledges contain a number

¹Surface-Mounted Device, the number indicates the imperial code of the component size.

²A trip is defined as a controlled ramp down of a power supply channel upon detection of an over-current.

of precisely milled mounting holes, glue-excess grooves, and pockets to hold the SMD resistors soldered to the foil installed below. The frames contain also a 1.5 mm wide, 2 mm deep spacer cross (one longitudinal and one transverse bar) to prevent the foils from approaching each other due to electrostatic forces [20]. The bars are positioned on GEM segment and pad row boundaries in order to minimize their impact on the active area of the detector. The area of the largest quadrant is 843 cm².

Before machining, the frame material is fine-sanded to reach the final thickness, with a tolerance of ± 0.04 mm. No further treatment of the material, such as coating with a thin polyurethane layer as proposed e.g. in [21, 22], is performed before the GEMs are glued onto the frames. The gluing procedure is described in section 3.4.1.

3.1.3 Pad planes and strongbacks

The readout chambers are equipped with pad planes made of a 3.2 mm thick FR4 multilayer board. The segmentation of the OROC readout planes follows the segmentation of the GEM stacks. The top PCB layer consists of copper readout pads, arranged in pad rows (see figure 8). The pad plane was modified with respect to the previous design with MWPC readout, roughly keeping the same pad sizes [5]. Table 5 summarizes the dimensions and parameters of the readout planes and pads. The pad widths vary slightly around the mean value of 4.2×7.5 mm² for the IROC and 6×10 mm², 6×12 mm² and 6×15 mm² for the regions corresponding to the three OROC GEM stacks. This is done in order to achieve maximum geometrical coverage of the active area, while matching the total number of pads to the front-end electronics (160 channels per front-end card). To minimize angular effects, the pads are radially oriented according to the average local track angle (see figure 8). In addition, the pad planes and the front-end cards are partitioned such that the data from all pads in the ten readout regions indicated in table 5 are sent to individual readout units (CRUs, see section 5.1). In particular, the data from full pad rows is sent to one CRU.

The expected (average) pad occupancies at 50 kHz Pb–Pb collisions are below 30%. Despite the narrow pad response function, and leaving aside track inclination effects, a sufficiently wide distribution of the signals over 2 to 3 pads in a row is obtained from diffusion alone, for drift lengths larger than about 30 cm for the small pads and 80 cm for the larger pads. For shorter drift distances, however, the appearance of single-pad clusters has a negative effect on the resolution. It should be noted, however, that short drift distances correspond partially to regions outside the nominal acceptance of the ALICE central barrel (pseudorapidity interval $|\eta| < 0.9$). Consequently, the good momentum resolution in the acceptance of the barrel detectors of ALICE will be maintained after the upgrade [3].

In order to minimize the capacitance to ground at the preamplifier input, the pad planes do not contain any ground electrode. The signals induced on the readout pads are routed to connectors on the backside of the pad plane. The pad vias are closed with a 20 μ m copper layer in order to avoid the collection of dust, which could pose a threat to the stability of the GEM foils. Beyond the pad layer, three further PCB layers are used to route the traces and place the connector footprints in an optimal way. The signal routing is optimized in order to minimize the trace length and thus capacitance. This is realized with an auto-router using the following boundary conditions: the trace width is 6 mil,³ and the routing clearances are 10 mil for the IROC, OROC 1 and OROC 2, and

³1 mil = 0.001 in = 25.4 μ m.

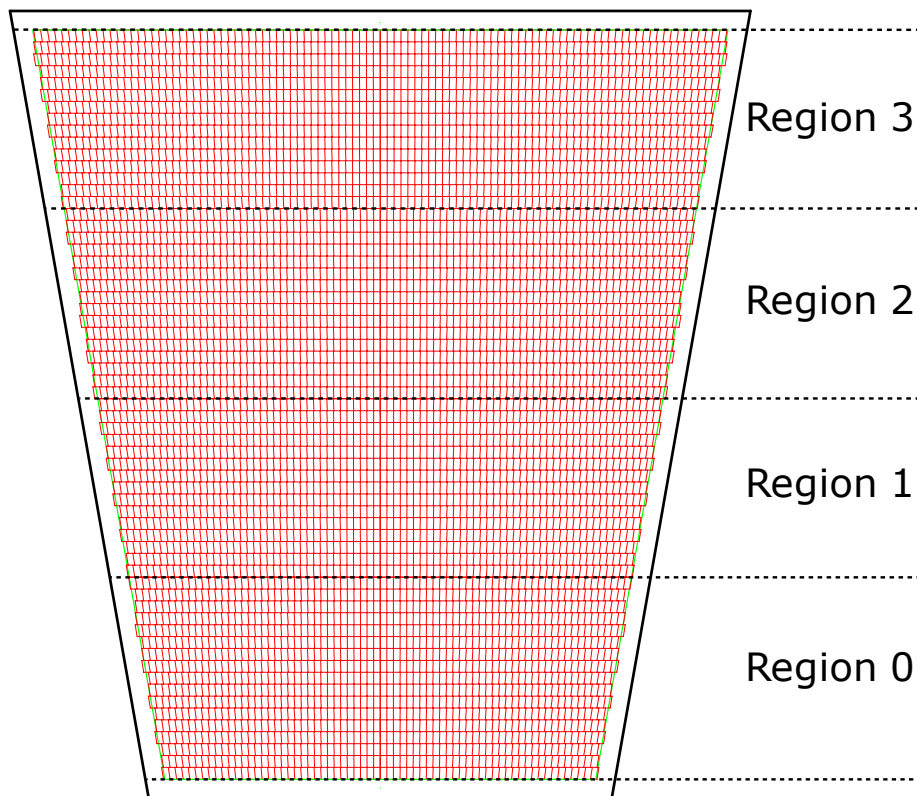


Figure 8. IROC pad plane layout. The active GEM area is indicated by the green lines. Also shown are groups of consecutive pad rows which are combined to readout regions.

12 mil for the OROC 3 pad planes. The results of the automatic procedure are further optimized with a manual pad-to-pin assignment in order to reduce the maximum trace length values. The final values, summarized in table 6, are on average shorter than in the old readout chambers [5]. A vertical 40-pin female connector⁴ is chosen to connect the front-end electronics. Four connectors in radial direction are grouped to connect 160 pads to one front-end card (see section 5).

The pad planes are glued onto the Al-bodies (see section 3.1.4) together with the 5 mm thick strongback (see figure 6), forming an integral, compound *chamber body*. The strongbacks are fabricated from Vetronite EGS 103 and provide electrical insulation between pad plane and Al-body, reducing pad capacitance to ground. The same design was used in the original version of the ALICE TPC readout chambers [5] and has shown to provide very good gas tightness and mechanical stability.

3.1.4 Al-bodies

The Al-bodies are the main readout chamber support structures holding the pad planes and the GEM stacks. The overall design of the Al-bodies is very similar to the one used with the MWPCs [5] and follows the dimensions shown in figure 5. They are produced from aluminium alloy,⁵ providing

⁴ERNI SMC 1.27 mm. Product number 354065.

⁵EN AW-5083 (AlMg4.5Mn0.7).

Table 5. Dimensions and parameters of readout planes and pads. The active range refers to the distance of the respective regions from the beam axis, taken at the azimuthal center of the sector.

region	active range		pad size		nr of rows	nr of pads
	from (mm)	to (mm)	width (mm)	length (mm)		
IROC						
0	848.5	976	4.16	7.5	17	1200
1	976	1088.5	4.2	7.5	15	1200
2	1088.5	1208.5	4.2	7.5	16	1440
3	1208.5	1321	4.36	7.5	15	1440
OROC 1						
4	1347	1527	6	10	18	1440
5	1527	1687	6	10	16	1440
OROC 2						
6	1708	1900	6.08	12	16	1600
7	1900	2068	5.88	12	14	1600
OROC 3						
8	2089	2284	6.04	15	13	1600
9	2284	2464	6.07	15	12	1600

Table 6. Average and maximum trace lengths for the TPC pad planes.

	$\langle L \rangle$ (mm)	L_{\max} (mm)
IROC	36.49	89.95
OROC 1	49.01	102.99
OROC 2	52.99	113.69
OROC 3	57.04	115.97

sufficient mechanical stability to prevent deformations due to gravitational forces and the tension of the GEM foils. The chambers are milled from blocks of cast alloy so that the mechanical stress and deformations are minimized. According to finite-element method (FEM) calculations, the resulting maximum deformation of the OROC Al-body at an operating overpressure of 0.4 mbar is less than 2 μm . This assures a precise support and mounting base for the pad planes and the GEM foils.

The detailed design of the Al-bodies includes cut-outs for the front-end card connectors, feedthroughs for high-voltage cables providing the electric potential to the GEM electrodes, precision holes for mounting the chambers in the TPC endplates, survey targets, and the infrastructure (tapered holes, O-ring grooves) for the final sealing of installed ROCs. As in the previous design (MWPC-based), a copper pipe is installed within the Al-body for water cooling and temperature control [5].

3.2 Tests with prototypes

The ALICE TPC employs a novel mode of operation for a GEM detector system. The choice of quadruple-GEM stacks with foils characterized by different geometrical properties (such as pitch and relative orientation of the hole pattern) is dictated by the unprecedented challenges in terms of load and performance expected from operation at the LHC. In order to keep space-charge distortions to a tolerable level, the backflow of ions produced in the amplification regions is to be minimized. At the same time, good energy resolution has to be maintained, and stable operation in the harsh LHC environment has to be ensured. In addition, sufficient long-term gain stability has to be guaranteed. As a consequence, dedicated ageing and charging-up studies are required.

The baseline solution for the new readout chambers was evaluated and optimized in a series of measurements with small and full-size prototypes during an extensive R&D phase. In the following, we summarize the relevant outcome from this process, with references to the corresponding publications.

3.2.1 Ion backflow and energy resolution

In the course of the R&D campaign, a multiparameter optimization of various triple- and quadruple-GEM systems has been performed [3, 9, 23]. In order to fulfil the requirements, the electric field configuration of the GEM stack and the sharing of the gain among the four amplification stages were optimized. In addition, the optical transparency of the GEMs in a stack has been varied by employing foils with various hole pitches: small (90 μm), standard (140 μm), medium (200 μm) and large pitch (280 μm).

Our measurements show that a suitable working region in terms of ion backflow and local energy resolution can be achieved by utilizing a quadruple-GEM system in the configuration S-LP-LP-S. This arrangement enables efficient ion blocking by employing asymmetric transfer fields and foils with low optical transparency. Contrary to common practice [25], an increasing sequence of gas gains down the GEM stack is used [24]. In this way, the majority of ions is produced in regions where they can be effectively blocked. On the other hand, the efficiency for electron transmission, in particular in the first two layers, is also affected by this configuration. Therefore, a parallel optimization of ion backflow and energy resolution is mandatory.

After optimization of the voltage settings, a working point was identified with an ion backflow of about 0.7% at an energy resolution of 12% (see figure 3), which is well within the design specifications. The typical HV settings follow the scheme: $\Delta V_{\text{GEM}1} > \Delta V_{\text{GEM}2} < \Delta V_{\text{GEM}3} \leq \Delta V_{\text{GEM}4}$. The first two transfer fields (E_{T1} and E_{T2}) and the induction field (E_{ind}) are $O(4 \text{ kV cm}^{-1})$, whereas E_{T3} is kept low, $O(0.1 \text{ kV cm}^{-1})$, in order to maximize the blocking of the majority of the ions, which are produced in GEM 4. Having a relatively large safety margin for choosing the final HV configuration (see figure 3), all voltages can be further optimized for the stability against electrical discharges (see section 3.2.2).

Special emphasis was given to the uniformity over the relatively large surface of the detectors. Simulations indicate that there can be a strong dependence of the ion backflow on the relative orientation of the hole patterns in consecutive GEM layers [9]. In particular, a notable increase of ion backflow may occur if the GEM holes are aligned. This behaviour can be understood in terms of the low diffusion of ions which makes them follow a given electric field line. In case of

displacement, ions emerging from a GEM hole end on the bottom electrode of the GEM above, while they escape through its holes in case of alignment. In the case of electrons, the much larger diffusion diminishes such correlations, and no effect on the gas gain is observed. Therefore, a misalignment of the GEM holes is preferred in terms of minimal ion backflow, or at least precautions should be taken to avoid accidental alignment.

While accidental alignment of two GEM layers over the whole surface is quite improbable, a slight relative rotation of two consecutive layers in the GEM plane can lead to macroscopic interference patterns (Moiré patterns), featuring regions of high and low optical transparency. Such patterns may lead to variations of the GEM characteristics over the detector surface. On the other hand, relative rotation of two consecutive layers by 90° prevents interference patterns, because the GEM hole pattern obeys a 60° rotational symmetry. This results in a randomization of relative hole positions over short distances and enhances the uniformity of the detector performance across the active area. For this reason, the masks of subsequent GEMs in the TPC ROCs are rotated by 90° with respect to each other (see table 4).

3.2.2 Discharge stability

Triple-GEM systems operated with so-called standard settings, i.e. voltage settings in which the spark discharge probability is minimized, were used successfully in high-rate experiments [21, 26, 27]. The gain of subsequent GEMs is, in such a case, decreasing towards the bottom of a stack, and thus the probability of exceeding maximum charge limits is significantly reduced [28].

The HV settings optimized for low ion backflow values (see section 3.2.1), however, violate these rules. Application of such settings in a triple-GEM stack yields a noticeable decrease in detector stability by more than three orders of magnitude [29]. However, the measurements reported in [29] also show that the utilization of a fourth GEM in a stack operated in low ion backflow mode restores the stability.

Upper limits for the discharge probability of an S-LP-LP-S system upon irradiation with alpha particles, operated at a gas gain of 2000 with voltage settings that are optimized for low ion backflow, are found to be of the order of 10^{-10} per particle [9]. This number is compatible with the results for a triple-GEM detector operated in standard settings [29], which is used as a reference that has proven to work reliably under high-rate conditions. In a test-beam campaign at the CERN SPS fixed target facility, a full-size quadruple-GEM IROC was exposed to hadron showers from a thick iron target irradiated with a high-intensity secondary pion beam. The measured discharge probability of $(6 \pm 4) \times 10^{-12}$ translates into about 650 expected spark discharges in the whole TPC, or 5 discharges per GEM stack, during one month of Pb–Pb running at 50 kHz [9]. This is expected to cause no damage to the detectors and is compatible with efficient and safe operation of the TPC in Run 3 and beyond.

In the course of the discharge stability R&D program, the new detectors have also been optimized with respect to the occurrence of secondary discharges. It was observed that a primary spark discharge in a GEM hole may trigger a secondary discharge in the gap below the GEM [28, 30]. The latter occurs already at electric-field values lower than the amplification field in the given gas mixture with a delay of several microseconds [31].

In order to minimize the probability of a secondary discharge to occur, the recommendations presented in [32] have been taken into account while designing the final HV scheme for the

new readout chambers. The most important ones are i) implementation of a decoupling resistor $O(100)$ k Ω to each power line providing HV to the GEM electrodes and ii) reduction of the transfer and induction field values from 4 kV cm^{-1} to 3.5 kV cm^{-1} .

The influence of the secondary discharge mitigation on the final HV design and settings and the implications for the TPC operation are discussed in section 4.1. The inputs of the preamplifiers of the front-end electronics are also protected against secondary discharges towards the pad plane with a circuitry described in section 5.4.5.

The overall stability test of the system was performed in the ALICE cavern at the CERN LHC, a few meters away from the interaction point. A preproduction OROC was installed in a dedicated vessel equipped with a drift electrode and a 11 mm drift gap (used later for the ROC quality assurance with the production chambers, see section 3.5). The baseline HV settings and the final hardware for the HV supply and distribution were used (see section 4.1.1). The pad plane of the chamber was grounded and all currents on the GEM electrodes were monitored by the built-in current meters of the HV power supplies. Figure 9 shows the trend of the currents in one stack during a luminosity scan performed with proton beams, where an interaction rate of 4.3 MHz was reached in steps. The GEM voltages were also ramped up in steps, leading to the clearly visible current excursions. Otherwise, the currents on the GEM electrodes follow the luminosity, the largest ones being, as expected, those on the GEM4 top electrode. The particle loads impinging on the chamber at this large rapidity were substantially higher than those expected in LHC Run 3 [3], and thus GEM currents reached, with a short drift gap, $4 \mu\text{A}$. These currents are indeed comparable with what the chambers would draw at midrapidity with the full TPC drift. The chamber behaved stable during the irradiation at the highest luminosity over several hours. This confirms that the chosen detector configuration and operational conditions are well suited for stable operation in the LHC environment.

3.2.3 Aging

Aging of gaseous detectors is well documented to happen if the gas mixture and/or the materials in contact with the gas are not chosen appropriately. In particular, outgassing from insulating materials may lead to aging effects in the form of gain loss, deterioration of the energy resolution, or Malter currents. Therefore, long-term irradiation tests on $10 \times 10 \text{ cm}^2$ quadruple-GEM stacks were carried out with samples of various construction materials in an outgassing box placed upstream of the detector using an Ar-CO₂ (70-30) gas mixture [33]. The tests consisted of irradiating a spot of the detector for over a month in order to accumulate a charge of several tens of mC cm^{-2} . No aging effects were observed with the tested samples. These include Araldite 2011 epoxy [34], SMD resistors soldered to a piece of GEM foil material, Vetronite pieces used for GEM frames, and polyamide studs and nuts for GEM fixing. Tests with the nominal mixture Ne-CO₂-N₂ (90-10-5) were also successfully carried out. However, it was noted that at substantially higher gains (order of 20000 and above) removal of the kapton in the GEM holes takes place as the irradiation proceeds, resulting in a deterioration of the detector performance. It is not yet fully understood which physical mechanism leads to this effect.

3.2.4 Charging-up after ramping

GEMs experience charging-up effects when powered up, leading to gain variations with a given time constant [35]. This is due to the rearrangement of charges within the polyimide upon power-up,

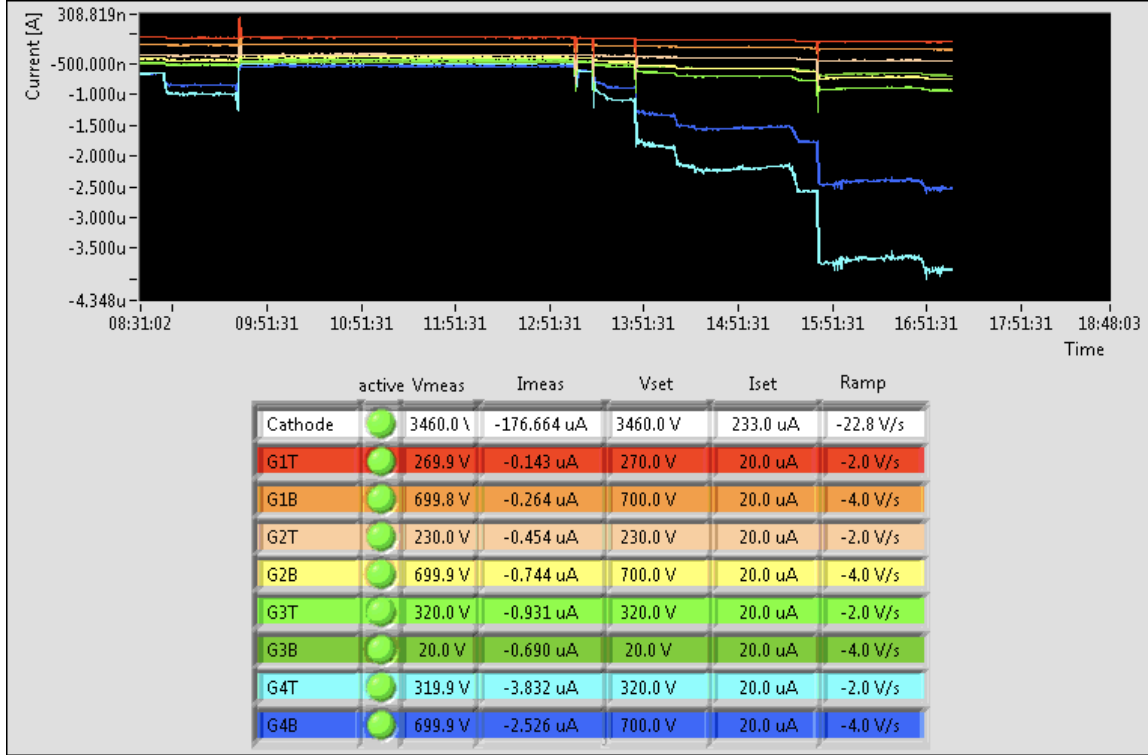


Figure 9. Current measurement of OROC 1 GEMs during a high-luminosity test at the LHC. The currents of the different HV power supply channels are shown in different colors. The current spikes correspond to the increase of the GEM potentials during ramp-up. The steps in the current readout are related to increases of the luminosity. The table below shows instantaneous values of the measured voltages (V_{meas}) and currents (I_{meas}), and set values of voltage (V_{set}), trip limit (I_{set}) and ramp speed (Ramp).

and further charge-up processes due to the irradiation itself. Therefore, measurements were carried out to study the gain behaviour of GEMs when ramped up from an intermediate to the full voltage under irradiation, which is the *modus operandi* of the TPC at the LHC. These measurements [36] show that in a $10 \times 10 \text{ cm}^2$ quadruple-GEM stack, after ramping up the GEM voltages from 70% to 100% of the nominal settings under an ALICE-equivalent irradiation, a gain increase of 25% occurs in about ten minutes. More detailed studies [37] demonstrated the charge rate dependence of this time scale, which in any realistic scenario is sufficiently slow for the foreseen online calibration procedures to correct for this effect.

3.2.5 Particle identification performance

In order to validate the performance of a large-size detector equipped with a stack of four GEMs in terms of dE/dx resolution, a prototype IROC was tested at the CERN Proton Synchrotron [9, 38]. The main result of this campaign is shown in figure 10.

The detector performance in terms of the separation power $S_{\pi e}$ between electrons and pions was studied for different GEM HV settings. Each HV setting provided a total gain of 2000, but resulted in different values of ion backflow and local energy resolution $\sigma(^{55}\text{Fe})$, as confirmed in measurements with small prototypes (see section 3.2.1 and ref. [9]). The separation power is

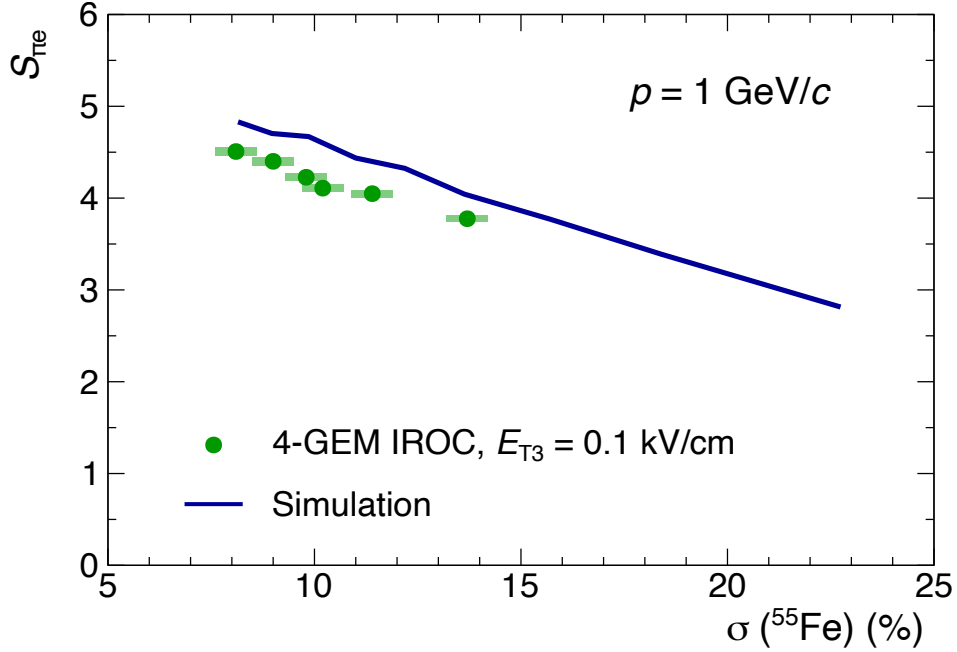


Figure 10. Separation power for pions and electrons at $p = 1 \text{ GeV}/c$ measured with an IROC prototype at a gain of 2000. The data points are recorded at different GEM HV settings that correspond to different values of $\sigma(^{55}\text{Fe})$ and ion backflow. The data points (from left to right) cover a range in ion backflow between about 2.5% and 0.5% (see figure 3). Horizontal error bars correspond to the uncertainty of $\sigma(^{55}\text{Fe})$ measurement with small prototypes. Data points and simulation are taken from [38].

defined as

$$S_{AB} = \frac{2 |\langle dE/dx \rangle_A - \langle dE/dx \rangle_B|}{\sigma(dE/dx)_A + \sigma(dE/dx)_B} \quad (3.1)$$

for two particle species A and B. Here, $\langle dE/dx \rangle$ is the mean of the specific energy loss distribution and $\sigma(dE/dx)$ the standard deviation, both determined from Gaussian fits to the truncated energy loss spectra.

As expected, the dE/dx resolution for pions and electrons, and thus the separation power, degrades with worsening local energy resolution (increasing $\sigma(^{55}\text{Fe})$ value), however, the dependence is rather weak and no abrupt change is observed. The measurement is compared with a microscopic simulation, in which the effective primary electron efficiency of the readout system is varied. This leads to a degradation of the $\sigma(^{55}\text{Fe})$ and hence the pion-electron separation power, which reproduces the data trend very well. A small constant offset of about $\Delta S_{\pi e} = 0.5$ between data and Monte Carlo points to a residual systematic contribution in the prototype data that is not described by the simulation. The results demonstrate that the resolution is compatible with that of the previous version of the TPC [5]. The design thus fulfils the requirements for the upgrade.

3.3 GEM foil production and quality assurance

The production and quality assurance of the GEM foils were embedded in the overall material and production flow that is described in section 3.4. The GEM foils were produced by the CERN Micro-

Pattern Technologies laboratory [16]. After a Basic Quality Assurance (QA, see section 3.3.2), the GEM foils were extensively tested at two Advanced QA centers (see section 3.3.3).

3.3.1 GEM production

GEM foils were produced in pairs on $600 \times 1700 \text{ mm}^2$ sheets combining IROC + OROC 3 and OROC 1 + OROC 2 foils. Due to technological reasons, only the foils with the same hole pitch could be combined together on a single sheet. The initial production rate of 20 sheets per month was increased to 30 sheets per month during the final production phase. The sheets were cut into individual GEMs, which were labeled with a unique bar code. Each GEM was equipped with $5 \text{ M}\Omega$ SMD protection resistors (see section 3.1.1 for more details). All soldering was done using leaded, no-clean solder wire⁶ [39]. After soldering, the foils were cleaned in order to remove corrosive remains of the solder flux, and tested for HV stability. The mechanical quality of soldering was checked with plastic tweezers by gently pulling the SMD elements.

3.3.2 Basic QA

All GEM foils were subjected to optical inspection and a measurement of the leakage current (I_{leak}) prior to each production step, in order to reject malfunctioning GEM foils at the earliest possible stage. In the former, an operator checked visually the quality of a foil on a light table. Defects that were visible by eye (such as scratches, over-etched holes, large areas of missing holes, etc.) were noted in a database (see section 3.4.6). Severe defects, such as cuts or protruding pieces of copper, led to the rejection of a foil.

The leakage-current measurement was conducted using a single-channel HV source and a multichannel pA-meter system [40]. The test was performed in a gas-tight Macrolon box, in dry nitrogen ($<0.6\%$ of absolute humidity). The HV was applied to each segment separately using spring-loaded pins. During the very first Basic QA procedure, just after the foils were received from the producer, 550 V was applied directly to the foil. This was done in order to increase the current flowing through residual dust particles confined in the GEM holes, which eventually melt and evaporate (*HV cleaning*). Afterwards, the voltage was decreased to 500 V and the leakage current was measured for fifteen minutes. For any further leakage current measurement, performed in the course of the readout chamber production, the first step at 550 V was skipped.

Figure 11 shows an example of leakage current measurement for a single GEM segment. Each measurement was uploaded to a database for evaluation (see section 3.4.6). A foil was considered good if all of its segments showed an average leakage current in the interval [450 s, 900 s] below 0.5 nA . It is worth mentioning that the typical values measured in the course of the production were well below 0.1 nA per segment.

If a foil did not pass the test, it was cleaned with a tacky roller to remove residual dust and the test was repeated. If the foil failed repeatedly, it was sent back to the producer for cleaning, which reduces the leakage current to a level well below the acceptance limit in most of the cases. Otherwise, the foil was discarded.

In addition to the leakage current, also the sparking rate was monitored during the test. The foils spark usually immediately after applying a potential difference, but the spark rate should drop

⁶Almit KR 19SH RMA 2.2%, Sn-36.0Pb-2.0Ag.

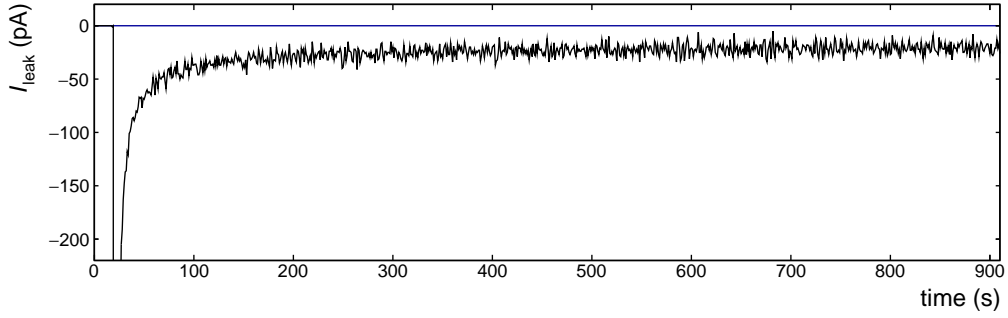


Figure 11. Typical leakage current measurement of a GEM segment.

to zero with time (although spurious discharges may occur at any moment). If a foil experienced continuous sparking, the test was interrupted and the foil was cleaned with a tacky roller. In case of further failures, the foil was sent back to the producer for cleaning (see above). Details of the Basic QA procedures, equipment and protocols are discussed in [41].

3.3.3 Advanced QA

At the Advanced QA sites, a long-term HV test, high-definition (HD) optical scanning, and gain mapping of the GEM foils were performed. The main goal of these steps was to thoroughly monitor the GEM foil quality, i.e. to spot raw-material and production flaws at the earliest possible stage. As the Advanced QA required a significant amount of time to be performed, two QA centers were established to sustain the necessary production rate. A detailed discussion of the Advanced QA methods can be found in [42–44].

A leakage-current test, equal to that executed in the Basic QA step (see section 3.3.2), but with increased duration of at least five hours, was performed as part of the Advanced QA. The same acceptance criteria were applied. The purpose of the long-term stability test was to maximize GEM stress under HV and reveal potential issues which can appear after longer operation (e.g. enhanced sparking rate). Foils which did not pass this QA step underwent the cleaning procedure (see section 3.3.2).

The HD optical scanning system for the GEM QA consisted of an xyz -robot mounted on a glass table, a high-definition camera with telecentric optics to avoid distortions and parallax errors, and lighting equipment [42, 45]. The GEM foils were scanned with a two-exposure mode, in which the background-light exposure was used for the reconstruction of the inner polyimide holes whereas the foreground-light exposure was used for the copper holes. For the largest foil, OROC 3, up to 3600 pictures were taken per side, which took approximately 2 hours [42]. Each foil was photographed from both sides. During the scanning process, the foils were stretched using a stencil frame system (see more in section 3.4.1) for efficient focusing and substantial reduction of the scanning time.

The reconstruction of the images, the classification of the identified patterns into regular holes or defects, and the analysis of the data was done using a custom-made software package described in [42, 45]. From the resulting output, maps and distributions of the positions and dimensions (i.e. inner and outer hole diameter) of all GEM holes were generated. Example plots are presented in figure 12 for an IROC standard-pitch foil, where two-dimensional distributions of the outer (d_{os}

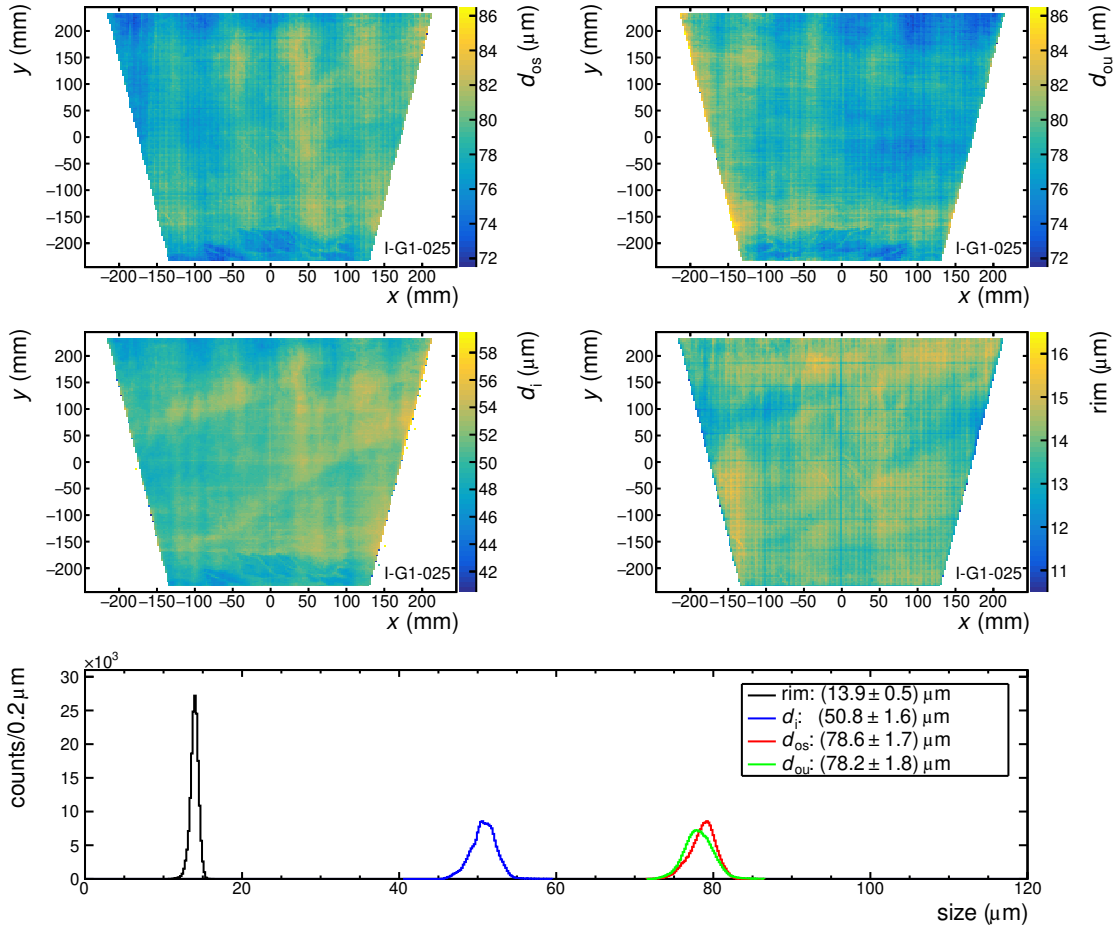


Figure 12. High-definition scan of an IROC GEM 1 foil. The upper panels show the 2D distribution of the outer hole diameter for the segmented (left) and unsegmented (right) side of the foil. The middle panels show the inner hole diameter (left) and the rim width (right). The bottom panel shows the 1D projections of the measured values with mean and standard deviations. The regular structures visible in the 2D distributions are related to the production process. They have no influence on the quality of the foil.

and d_{ou} , for the segmented and unsegmented side, respectively) and inner (d_i) hole diameters are shown together with their one-dimensional projections. In addition, the rim size, defined as the difference between the outer and inner hole diameter, is plotted for the segmented side. Average hole dimensions and standard deviations of their distributions are also evaluated.

The scanning results were used to constantly monitor the quality of the foils. Large deviations from the mean values or structures visible in several foils of the same batch could potentially point to production flaws or problems with the raw material. Based on the scan results, fast feedback could be given to the producer.

The two-dimensional hole-size distributions can also be used to predict the response of individual GEMs. It has been shown that a qualitative estimation of the behavior of the local variation in the gain across the GEM foil can be made based on the measured sizes of the outer and inner holes [45]. For this reason, the gain uniformity of several foils from the same production batch was measured in order to further study this correlation. Gain uniformity scans were performed

using a dedicated setup employing an MWPC with strip readout, following the procedure described in [44]. During a measurement, the entire GEM foil area was illuminated with a non-collimated ^{55}Fe source. Figure 13 shows the relative gain (G_{rel}) measured across the same IROC GEM foil as in figure 12.

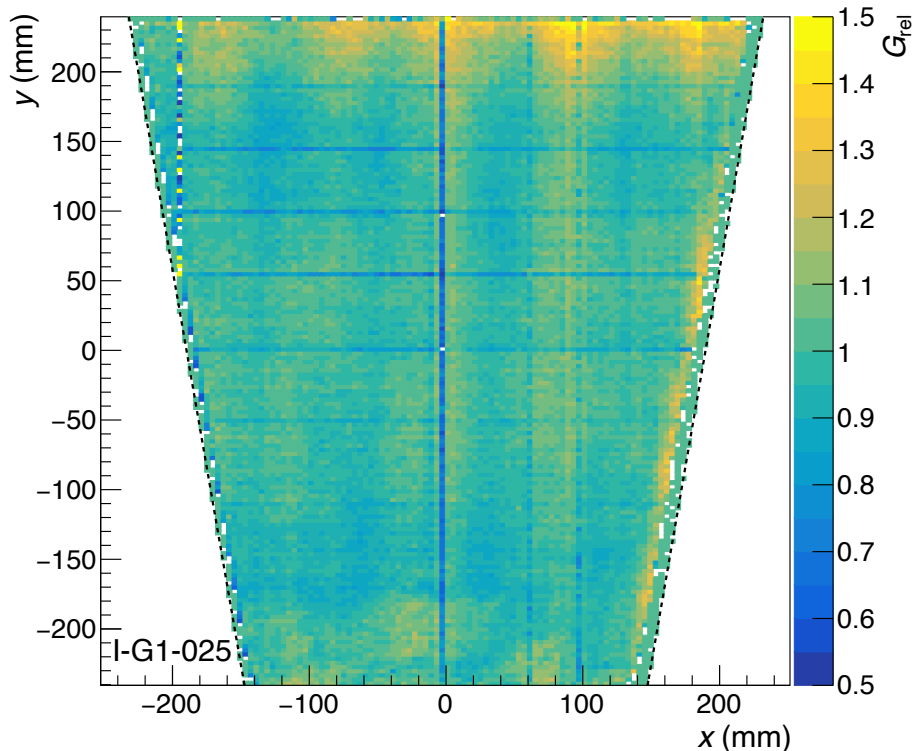


Figure 13. Gain scan of an IROC GEM foil, same as in figure 12.

Similar features can be observed in the distributions, which points to a correlation between gain and hole diameters. This is presented quantitatively in figure 14, where the measured G_{rel} values are plotted against the predicted gain (G_{pred}) determined by a single slope parameter G_0 and a normalization constant d_0 :

$$\ln(G_{\text{pred}}) = -G_0(d_{\text{o-mean}} - d_0), \quad (3.2)$$

where $d_{\text{o-mean}} = (d_{\text{os}} + d_{\text{ou}})/2$ is the average value of outer hole diameters measured from both sides of a foil and G_0 is found to be $0.046 \mu\text{m}^{-1}$ for standard-pitch foils [46]. A clear correlation between the measured and predicted gains can be found for a number of different foils. This allows one to model the gain (and at the same time the gain uniformity) for any single foil. In principle, the gain uniformity of a quadruple-GEM stack can be modeled based on the data obtained from the optical scans of the single GEMs. However, further studies are required for a complete understanding of all effects.

The results of the optical scans were used to select the foils that form a stack. Namely, GEMs featuring similar non-uniformity patterns, especially in the same region, were not put together in order to avoid large gain variations in the assembled detector. Indeed, the gain uniformity of all produced chambers is well within the specifications (see section 3.5.3).

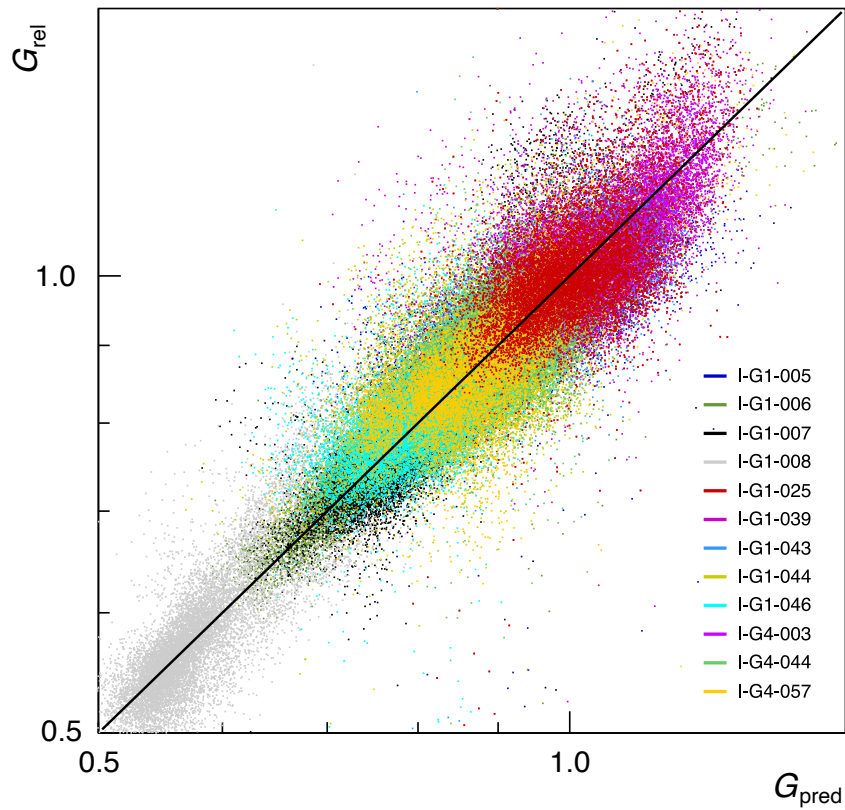


Figure 14. Correlation between the measured relative gain and the gain prediction based on the hole-size measurements, given by equation (3.2). Different colors represent data from different GEM foils. The solid line indicates $G_{rel} = G_{pred}$.

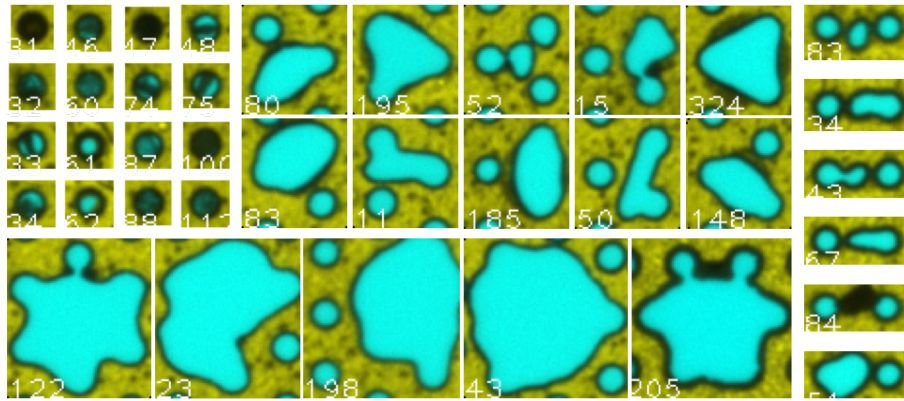


Figure 15. Collage of typical defects identified during the Advanced QA, including blocked (16 images at top left) and over-etched holes.

In addition to the hole-size measurements, a convoluted neural network was used to recognize the defects. The latter were compiled into defect maps (examples are shown in figure 15) and uploaded to a database for each scanned GEM foil. However, these GEMs were not rejected from further processing because they did not show any limitation in terms of stability or performance.

This confirms the efficiency of the visual selection of GEMs at identifying severe defects already at the Basic QA stage (see section 3.3.2).

3.3.4 Foil yield

In total, 829 GEM foils were produced in the course of the project. The final yield of good foils after all production and QA steps was $\sim 91\%$. The average values of hole dimensions are summarised in table 7. The numbers are well within the specification given by the producer. It is, however, important to mention that no tight constraints were defined for an average hole diameter. The values were monitored throughout the production period to assure stability of the hole dimensions. The latter can be evaluated by looking at the foil-to-foil variation of the mean diameters and rim size. The variations in the mean values are mostly associated with different production batches. The variations within a given foil are significantly smaller. As the result of the single mask technology used for the GEM production, the variations of the standard deviations (for single foils) of the outer diameter and rim size values are slightly larger in the unsegmented (bottom) side than in the segmented (top).

Table 7. Average hole size and standard deviations.

GEM side	type	mean	variation within foil (std. dev.)	foil-to-foil variation (std. dev.)
segmented	inner \varnothing (μm)	50.3	2.2	10.9
	outer \varnothing (μm)	74.4	2.1	15.4
	rim (μm)	12.1	0.6	3.1
unsegmented	inner \varnothing (μm)	50.2	2.2	10.7
	outer \varnothing (μm)	75.4	2.8	15.4
	rim (μm)	12.6	0.8	3.3

3.4 Assembly overview

The mass production of the readout chambers followed strict protocols, which are outlined hereunder. The assembly procedure was validated by producing several prototypes and, in particular, two IROC and two OROC preproduction chambers [18, 20, 47]. The overall material and production flow is presented in figure 16. After GEM production and QA (see section 3.3) the foils were framed (see section 3.4.1) and sent to the assembly sites, where they were mounted onto the preassembled readout chamber bodies (see section 3.4.3). The assembled detectors were then qualified (see section 3.5) and sent to CERN for acceptance tests, storage, and installation in the TPC (see section 3.6).

3.4.1 GEM framing

The GEM frames were assembled from four ledges and a spacer cross (see section 3.1.2) in a precision jig. All parts were thoroughly cleaned in an ultrasonic bath and inspected under the

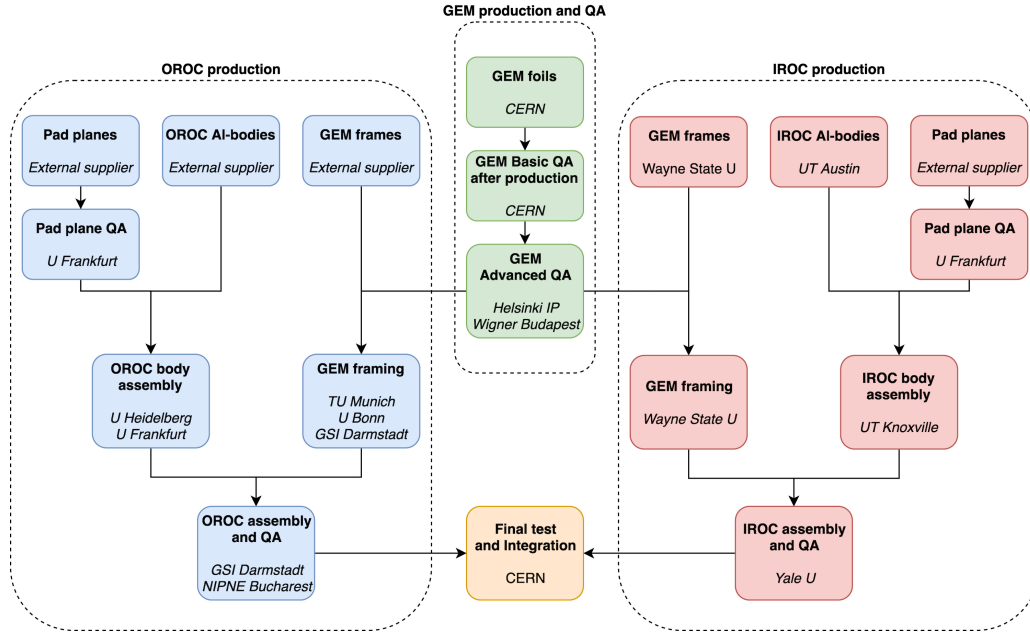


Figure 16. Material flow of the readout chamber production.

microscope prior to the assembly. The pieces were glued together with an epoxy resin (Araldite 2011 [34]) and left for curing overnight.

Before being glued onto the preassembled frame, the GEM foils were stretched with a tension of 10 N cm^{-1} using a modified DEK VectorGuardTM stencil frame system [48]. The GEM frame was then covered with epoxy (same as for the frame assembly) using a rubber roller, and placed in the gluing jig. Afterwards, the foil was positioned 0.5 mm above the frame (see figure 17) and aligned using adjustment screws. The gluing jig was closed with a heavy cover plate milled such that the active area of the foil was not touched, and burdened with steel bricks to press the foil onto the frame. The epoxy was cured overnight in dry atmosphere (below 30% relative humidity). After that, the foil was removed from the DEK frame and tested (Basic QA procedure). Finally, a set of framed foils were packed and sent to the chamber assembly sites.

3.4.2 Chamber body assembly

A chamber body consists of a pad plane and a strongback (see section 3.1.3) glued together on an Al-body (see section 3.1.4). Before a chamber body was assembled, the pad planes-equipped with the front-end connectors (see section 3.1.3)—underwent a QA procedure. A connectivity test was performed by means of a pad-to-ground capacitance measurement, using a custom-made test probe. In this way, bad contacts (low capacitance) or shorts between two pads (high capacitance) could be spotted and repaired. In order to increase the sensitivity of the measurement, the pad planes were put on a waterbed, making use of the high value of water relative permittivity, $\epsilon_r \approx 80$. Only pad planes with all pads connected properly were accepted.

The gluing of the chamber body components was performed on a vacuum table with the pad plane facing the table surface. In this way, a very good flatness of the pad planes could be assured,

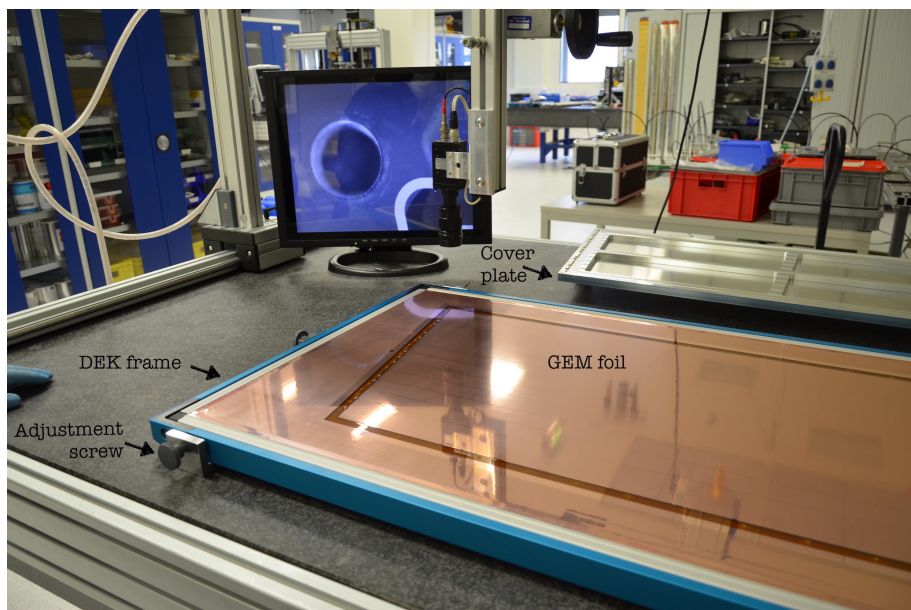


Figure 17. Stretched GEM positioned on a framing jig.

in particular for the OROCs, which accommodate three pad planes on one Al-body. Precision holes and pins assured proper alignment of all components.

The next step concerned the gluing of the HV plugs into feedthroughs machined into the Al-bodies. The plug is a peek cylinder with two HV cables glued inside in two separate channels (see figure 18). Each cable is made of two pieces soldered inside the peek tube to avoid gas leaks. The HV cables provide the potentials to the GEM electrodes, thus four feedthroughs and plugs are necessary to provide potentials to all GEMs in a stack. High-voltage Lemo sockets installed on one end of the cables (see section 4.1.5 for more details) were fixed to the Al-body after gluing. Peek-coated wires on the other side were soldered directly to the GEMs during the final ROC assembly step (see section 3.4.3 and figure 20).

After installation of the HV plugs into the feedthroughs, the chamber bodies were installed in gas-tight boxes and flushed with nitrogen for a leak test. The tightness was calculated from the O_2 content as measured at the gas outlet. Typical leak rates were below 0.1 ml h^{-1} at 1 mbar overpressure. This was the first of a series of four leak tests performed with each chamber (see section 3.5.1 and section 3.5.5 for further details).

In the next step, the pad plane planarity was measured at predefined positions. For this purpose, reference points were precisely machined into the Al-bodies. These data were later used for the final survey of the TPC endplates and readout chambers (see section 6.1 for more details). In order to check the precision of the chamber body gluing procedure, the planarity of several OROC pad planes was measured using a tactile coordinate measurement machine. The results for one chamber are presented in figure 19. The width of the pad plane height distribution is $20 \mu\text{m}$, which is well within the specifications.

In the last step of the chamber body assembly, 8 mm deep holes with 3 mm diameter were drilled into the pad planes along their circumference to house the threaded studs for the GEM stacks

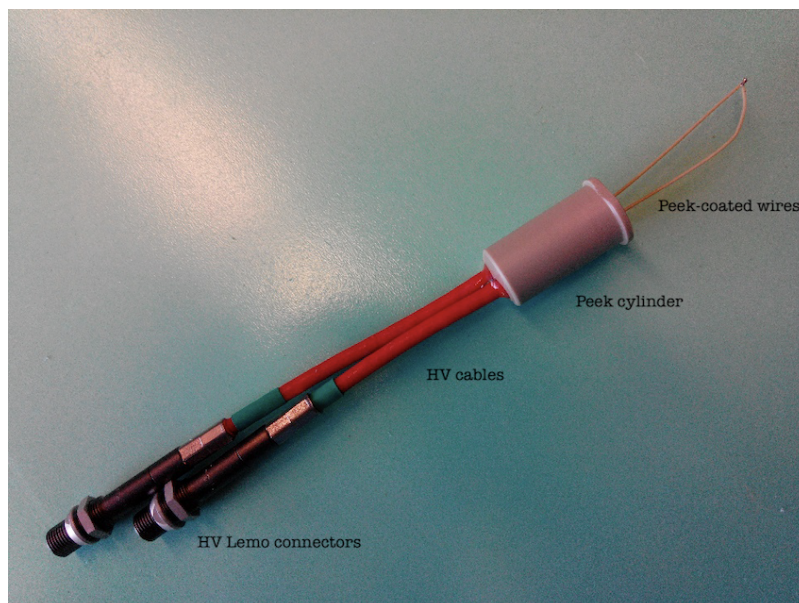


Figure 18. HV plug prepared for the installation in a feedthrough.

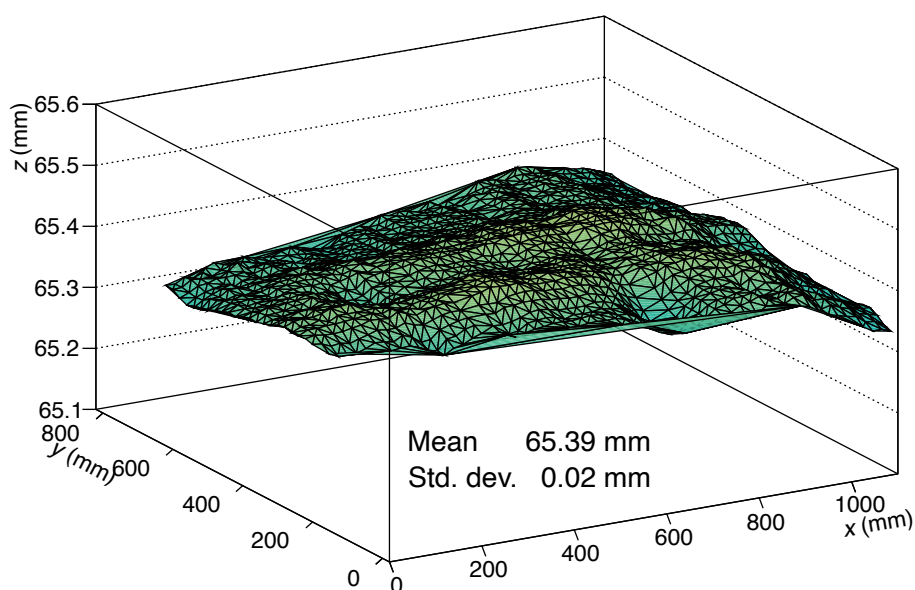


Figure 19. OROC pad plane planarity measurement in z -direction.

(see section 3.4.3). These M3 studs, made of 25% glass-fiber reinforced polyamide, were glued into the holes. Finally, each chamber body, identified with a unique serial number, was mounted on a sealing flange, which in turn was closed with a gas-tight test/transport vessel (see section 3.4.5) for shipment to one of the three ROC assembly sites (see figure 16).

3.4.3 ROC assembly

The final assembly was preceded by a number of quality checks and cleaning procedures. Chamber bodies, from then on mounted on their flanges, were thoroughly cleaned and all pads were grounded

for a pad connectivity test upon arrival. The HV integrity of the feedthroughs was tested at 5 kV in air. After having passed the Basic QA procedure (see section 3.3.2), the framed GEMs were trimmed to their final size with the use of a scalpel. The surfaces of pad planes and GEMs were checked with a UV lamp, prior to the assembly. The residual dust was blown off with compressed air or N_2 .

The foils were subsequently mounted to the chamber bodies and the HV wires were soldered to the top and bottom HV flaps (see figure 7 and figure 20). The wires were soldered using the same solder wire as for the soldering of the SMD loading resistors (see section 3.3.1). After HV connection, the resistance and capacitance across each foil were measured in order to identify possible issues at the earliest possible stage.

The stack was fixed on the studs using reinforced polyamide nuts, tightened with a torque of 6 N cm. A photograph of an assembled OROC 3 stack is shown in figure 20. In case of the OROCs, the operation was repeated for all three stacks. After successful installation of all GEMs, the chamber was put in a dedicated gas vessel for the ROC QA measurements, described in detail in section 3.5.

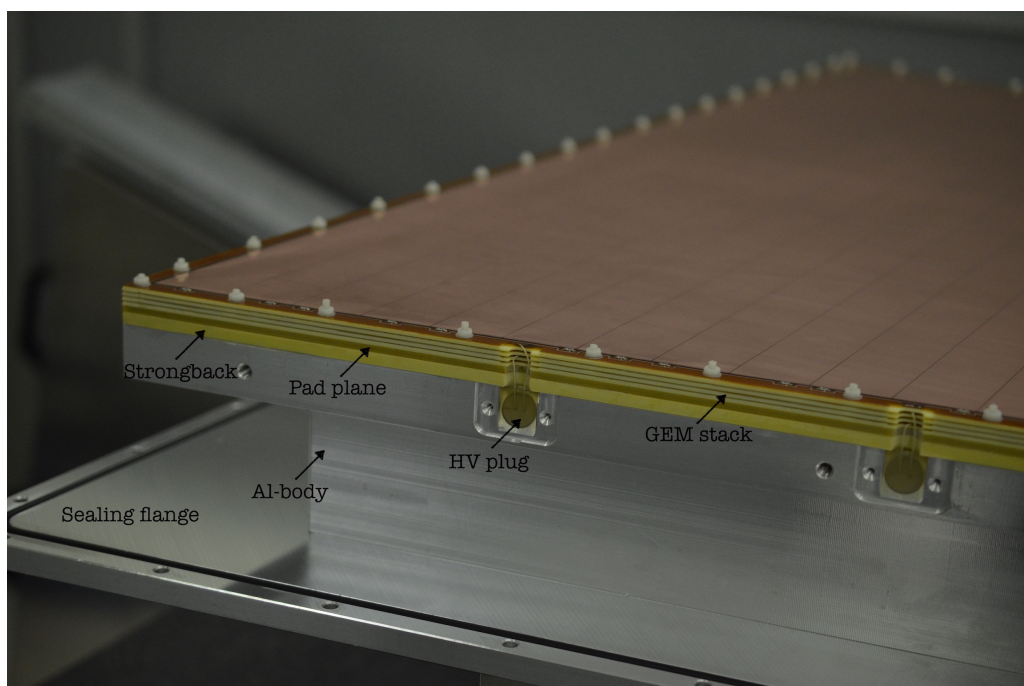


Figure 20. Assembled OROC 3 stack showing four GEMs installed on the chamber body and fixed on the studs, and HV wires soldered to the HV flaps of the foils.

3.4.4 Clean room equipment

All assembly activities involving GEM foils were performed in clean rooms with class ISO 5 to 7, taking all precautions to avoid contamination of the GEMs. All tools and surfaces were regularly cleaned and the personnel was equipped with appropriate clean room gear (overalls, gloves, face masks, etc.).

The foils were stored in dry cabinets in which the relative humidity was kept at the level of 1–2%. For any activities in which the GEM surface was exposed to the environment, such as HV test, framing, or soldering, dedicated covers were used. When this was technically not possible (during optical scan, stretching, frame alignment, etc.), the activity took place directly under a filter fan unit.

3.4.5 GEM and ROC transportation

More than 300 individual shipments between the various production sites were necessary during the mass production. Thus, it was mandatory to assure safe transportation of the GEM foils and readout chambers.

Immediately after production, each GEM was equipped with an aluminium frame which stayed attached to it until the trimming before ROC assembly (see section 3.4.3). The aluminium frame was part of the pneumatic stretching system used for GEM framing (see section 3.4.1). It provided stability and made the foil handling more convenient. In addition, it allowed the GEMs to be hang vertically inside dry cabinets, and served as a basis for safe transportation employing a dedicated GEM Transportation System (GTS).

The GTS was a custom-made modular system which consisted of a set of drawers, a wheeled base-plate, and a cover, all made of PVC material (see figure 21). GEMs equipped with aluminium frames were packed into single-use clean room paper envelopes (non-sticky and non-abrasive) and secured inside the drawers. Up to three (stacked) GEMs of any OROC size or up to six IROC-size foils could be accommodated in a single drawer. O-rings between the GTS drawers assured gas tightness of the entire system. The top GTS cover was equipped with a particle filter to allow for pressure equalization during transport. Thanks to the aluminium frames, GEMs in the GTS could be easily fixed, thus preventing them from sliding or touching each other or any surface nearby. For additional safety during shipment by commercial carriers, all GTSs were packed into dedicated wooden boxes. It is worth noting that no GEM was damaged during any transport.

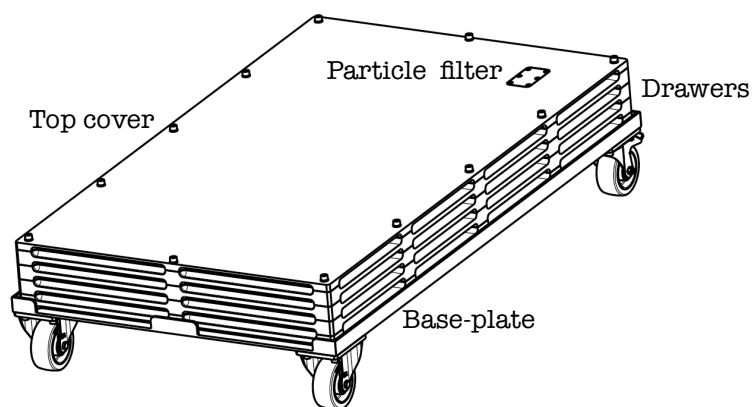


Figure 21. A GEM Transportation System unit.

Chamber bodies and assembled ROCs were shipped in custom made test/transport boxes (TT-boxes) used for transport and storage until final installation in the TPC. The TT-box consisted of an aluminium plenum that was closed with a flange where the ROC was attached. O-rings provided

gas tightness. The flange was equipped with gas fittings. For transportation, a particle filter was connected to the TT-box volume. In addition, the TT-boxes were placed in wooden boxes for extra safety. All IROCs were shipped from the U.S. to CERN by plane, whereas OROCs were transported by road.

The TT-boxes were also used for acceptance tests before and after ROC transportation (see section 3.5.5), and stability tests at CERN (see section 3.6). They did not contain a drift electrode, however, the plenum (at ground potential) was placed at a safe distance from any ROC electrode to avoid electrical discharges.

3.4.6 Database

The TPC upgrade campaign was managed via a custom-made database. It was used to record the QA results of all ROC parts from the QA tests of individual components like GEMs, pad planes, Al-bodies, to the ROC assembly and commissioning of completed ROCs (see section 3.5). QA data and measurements of all parts, as described above, were uploaded via a web interface at the responsible labs. In addition, the database was used to manage the flow of material between the participating labs. The control of stock, logistics and workflow for the ROC parts was a very important aspect of the database due to the fact that production and QA was distributed among several laboratories, requiring frequent shipping.

3.5 ROC quality assurance

A fully assembled ROC was mounted in a vessel dedicated to QA measurements (QA-box) equipped with a drift electrode and a low material budget backplate (entrance window) to allow external irradiation with x-rays. In addition, a screen electrode was installed 2–3 mm from the drift electrode and operated at the same potential as the latter to collect all positive ions created by radiation in the gas space between the entrance window and the drift electrode. The drift gaps in the utilized QA-boxes were 10–25 mm long. The flange, to which the ROC was attached, fitted both the QA- and the TT-box. The chamber was flushed with the nominal detector gas mixture Ne-CO₂-N₂ (90-10-5) and a set of quality assurance tests were performed. They are described in the following.

3.5.1 Gas tightness

While flushing the chamber, the contamination of the exhausted gas with O₂ and H₂O was monitored. When the O₂ level reached its asymptotic value, the leak rate was determined. The requirement of a leak rate below 0.5 ml h⁻¹ (e.g. <5 ppm O₂ at a flow of 20 l h⁻¹) at atmospheric pressure had to be fulfilled by all chambers.

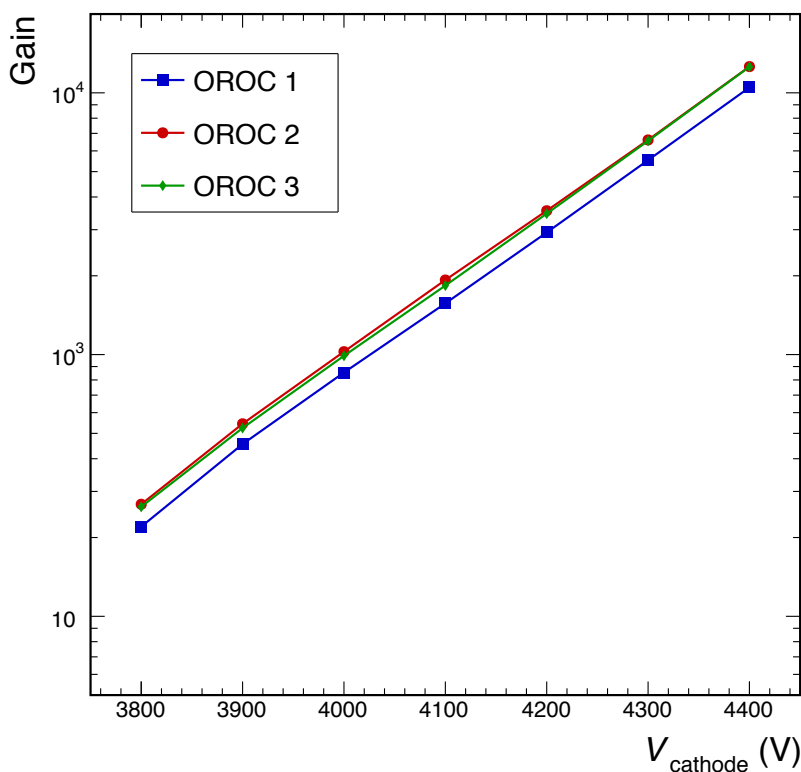
3.5.2 Gain curve

The HV configuration applied to the GEM stack in the course of this test, corresponding to a gain of ~2000, is displayed in table 8. The test settings were more demanding than the baseline HV configuration foreseen for operation, discussed in section 4.1.1, since the former settings employ higher transfer and induction fields and, in particular, higher GEM 4 voltage (see section 3.2.2 for more details). A potential V_{cathode} was applied to the drift electrode and the GEM foils by means of a voltage divider. This simplified powering scheme, with predefined resistors was sufficient for the ROC QA measurements, allowing all chambers to be tested under the same conditions.

Table 8. HV test settings used for ROC quality assurance.

$\Delta V_{\text{GEM}1}$	=	270 V
$\Delta V_{\text{GEM}2}$	=	230 V
$\Delta V_{\text{GEM}3}$	=	288 V
$\Delta V_{\text{GEM}4}$	=	359 V
E_{drift}	=	400 V cm ⁻¹
$E_{\text{T}1}$	=	4000 V cm ⁻¹
$E_{\text{T}2}$	=	4000 V cm ⁻¹
$E_{\text{T}3}$	=	100 V cm ⁻¹
E_{ind}	=	4000 V cm ⁻¹

The actual gain was determined by measuring the rate of absorbed x-rays from a collimated ⁵⁵Fe source and the corresponding current induced on the readout pads. For a given chamber, the overall voltage applied to the voltage divider was varied such that the gain of the chamber was scanned between ~1000 and ~10000. A typical gain curve is shown in figure 22. Additionally, the ⁵⁵Fe spectrum was recorded in one position of each stack at nominal gain in order to determine the corresponding energy resolution.

**Figure 22.** Gain curves measured for the three OROC GEM stacks of one chamber.

3.5.3 Gain and ion backflow uniformity

In order to quantify the uniformity of gain and ion backflow, the currents to the pad plane (I_{pad}) and to the drift cathode (I_{cathode}) were monitored while a collimated x-ray source or a moderately powered x-ray generator was moved over the surface of the readout chamber. For this purpose, all pads were connected together with the use of custom grounding cards. The detector was operated at an average gain of ~ 2000 . Before the measurement, the full active area was irradiated until the GEMs were charged up, i.e. until the pad current reached its asymptotic value (see section 3.2.4). Then, the position of the radiation source was varied in steps of ~ 2.5 cm and the pad and cathode currents were measured, until the full active area was scanned. The requirement for the gain uniformity across the ROC area is $\sigma(I_{\text{pad}})/\langle I_{\text{pad}} \rangle < 0.2$, where I_{pad} is proportional to the gain, and $\langle I_{\text{pad}} \rangle$ and $\sigma(I_{\text{pad}})$ are the mean and standard deviation of the single-point measurements. The upper limit for the ion backflow of a ROC, given by the average over the single-point measurements of the $I_{\text{cathode}}/I_{\text{pad}}$ ratio, and its (absolute) standard deviation across the ROC area are 1.0% and 0.2%, respectively.

Figure 23 shows typical results obtained for one of the production OROCs. As described in section 3.3.3, the careful selection of single foils ensured that the required gain and ion backflow uniformity was achieved in all production readout chambers. The overall gain uniformity, in terms of relative standard deviation, measured for all assembled chambers, is 10.3%. The average ion backflow and its absolute standard deviation are 0.56% and 0.14%, respectively.

Figure 24 shows the correlation of $\sigma(^{55}\text{Fe})$ and ion backflow for all produced IROC and OROC stacks. The black point corresponds to the value measured for the test HV settings (see table 8) with a 10×10 cm² prototype detector (see also section 3.2.1). The scatter of the ROC measurements around the value expected from the small prototype is compatible with the systematic uncertainty of the single-point measurement, indicated by the error bars of the prototype data point, and the variation over the ROC surface. The values for $\sigma(^{55}\text{Fe})$ and ion backflow can be further adjusted by optimization of the voltage settings on a stack-by-stack basis.

3.5.4 Full-area x-ray irradiation

The last qualification step was a stress test at the maximal current density of 10 nA cm^{-2} expected during nominal Run 3 operation [3]. The detector was exposed for at least six hours to the corresponding x-ray flux at the nominal gain, while monitoring the pad current for discharges. After the test, the leakage currents of all GEMs were measured at 250 V and compared to the situation before the test. In both cases, the leakage current were required to be below 1 nA (measured for the entire foil).

In the course of the ROC production, an additional irradiation step was introduced at the assembly sites as a response to HV instabilities observed with a number of chambers during stability tests at CERN, described in details in section 3.6. It included local irradiation of the soldering points, where the HV wires are soldered to the GEM foils (see section 3.4.3). Problematic chambers were treated the same way as described in section 3.6.

3.5.5 Acceptance tests before/after transportation

Once the chambers successfully passed the quality assurance at the assembly sites, they were installed back in their TT-boxes. Before shipping to CERN, acceptance tests were performed. These

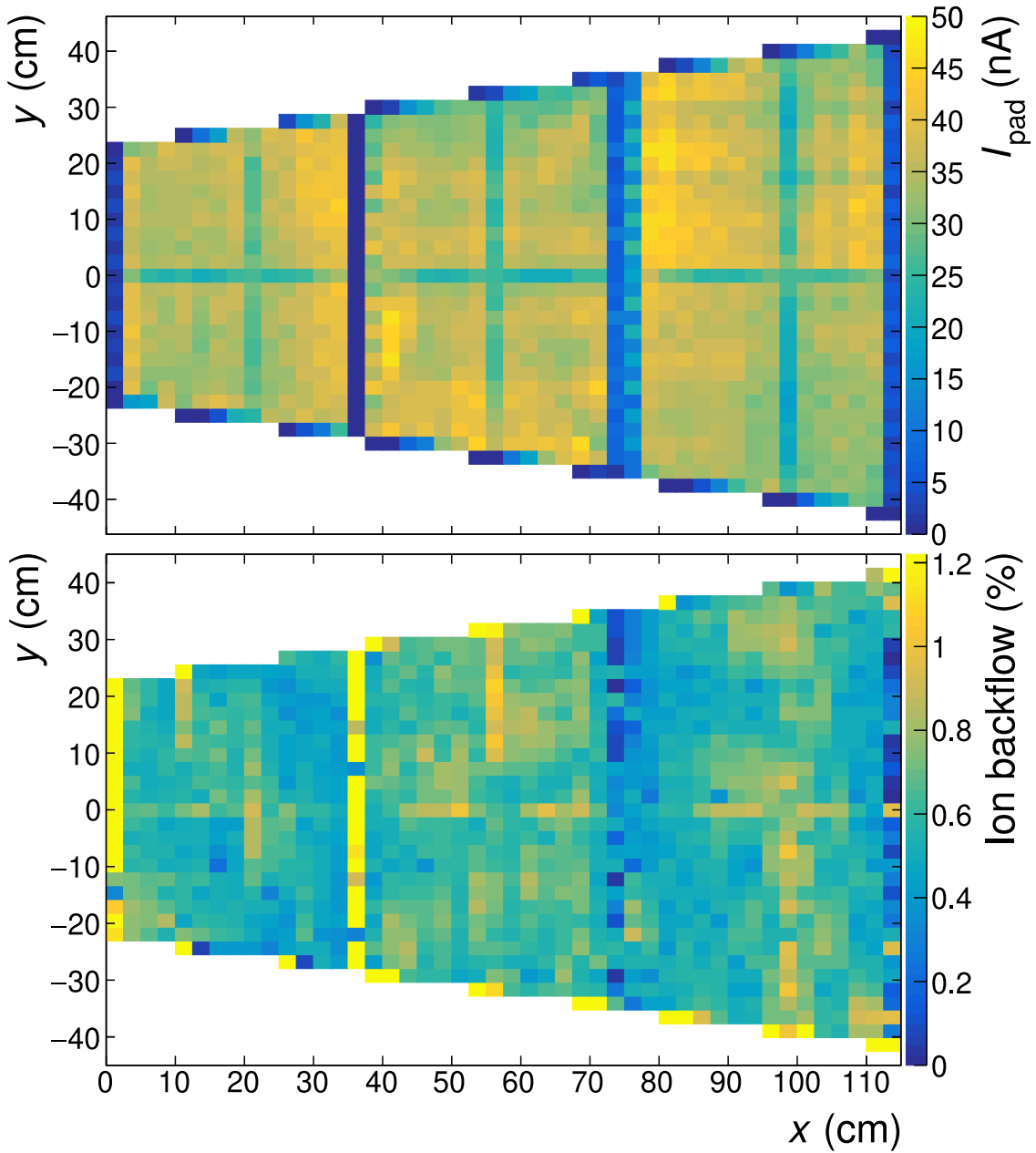


Figure 23. Results of the pad current (upper panel) and ion backflow (lower panel) uniformity measurement for an OROC. The structures with low pad current and low or enhanced ion backflow correspond to the spacer cross in the GEM frame and to the edge regions. The pad current uniformity, and thus the gain uniformity (in terms of relative standard deviation) for OROC 1, OROC 2 and OROC 3 stacks, excluding cross and edge regions, is 8.2%, 9.1% and 10.9%. The average ion backflow values are $(0.54 \pm 0.10)\%$, $(0.65 \pm 0.09)\%$ and $(0.57 \pm 0.11)\%$, respectively.

included: i) gas tightness, ii) leakage current at 250 V, iii) GEM conductance, and iv) capacitance. The latter is an effective way to check whether any electrical contact (HV wire or SMD resistor on a foil) is broken. For these tests, the TT-boxes containing their ROCs (see section 3.4.5) were flushed with nitrogen. The purpose of these tests was to assure the integrity of the chambers before

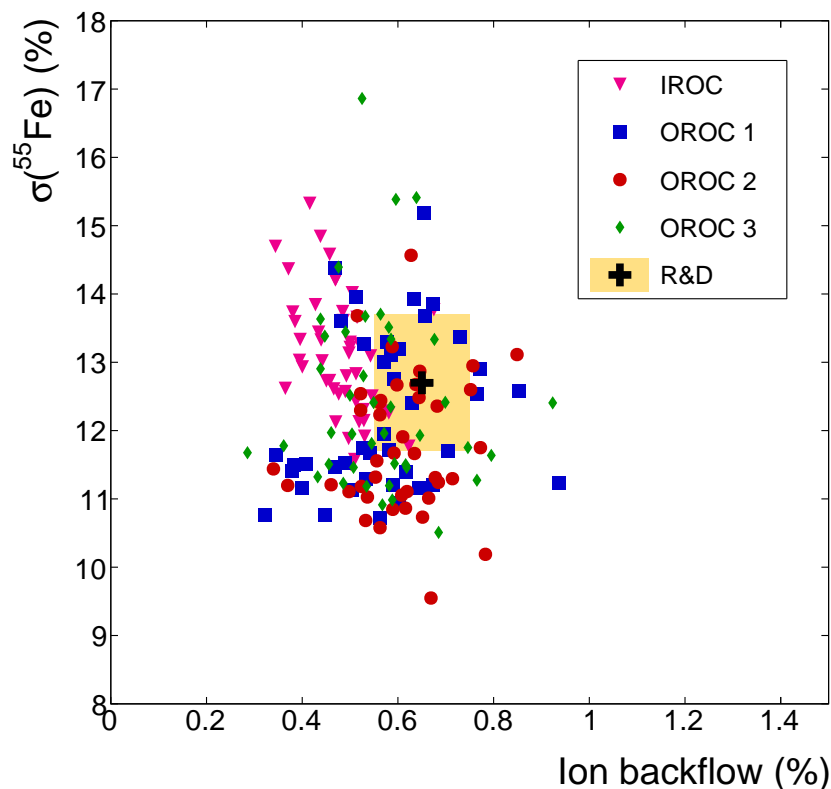


Figure 24. Correlation of $\sigma(^{55}\text{Fe})$ and ion backflow for all produced IROC and OROC stacks. The black cross shows the R&D result obtained with a $10 \times 10 \text{ cm}^2$ prototype. The yellow area around the R&D result indicates the typical systematic uncertainty assigned to each data point.

shipping. Upon reception at CERN, the same tests were carried out again. In addition, each stack was operated at the nominal voltage settings for 24 h, while the currents on all GEM electrodes were monitored.

3.6 Stability tests at CERN

All chambers delivered and accepted at CERN underwent a final stability test under irradiation in the ALICE cavern during LHC operation or at the CERN Gamma Irradiation Facility (GIF++) [49, 50]. The tests were performed with the chambers mounted in the TT-boxes, using the nominal gas mixture Ne-CO₂-N₂ (90-10-5). The baseline HV settings and the final components of the HV system were used (see section 4.1 for more details). During the test, the pad plane was grounded via dedicated shorting cards. Since the TT-boxes had no drift electrode, the drift field had reversed polarity, i.e. the ionization electrons drifted towards the grounded plenum of the TT-box. However, the electrons liberated in the closest vicinity of GEM 1, or in the transfer gaps, could undergo amplification processes. Potential instabilities due to imperfections of the solder points or HV electrodes were effectively detected, and thus quality issues of the ROCs could be revealed. During the measurements, all currents on the GEM electrodes were monitored by the built-in current meters of the HV power supplies (see section 4.1.2) and with an additional high-definition current meter installed in the power line of the top electrode of GEM 4 (see section 4.1.4).

All produced readout chambers (45 IROCs and 40 OROCs) successfully passed the final irradiation campaigns at the LHC and at GIF++, and were accepted for installation.

3.6.1 Tests at the LHC

The tests were performed during the LHC Run 2 during periods with pp and Pb–Pb collisions. Up to 4 IROCs and 4 OROCs were tested simultaneously in the ALICE cavern (see figure 25), a few meters from the interaction point in the forward pseudorapidity region, in which the conditions were comparable to those expected for the TPC in Run 3.

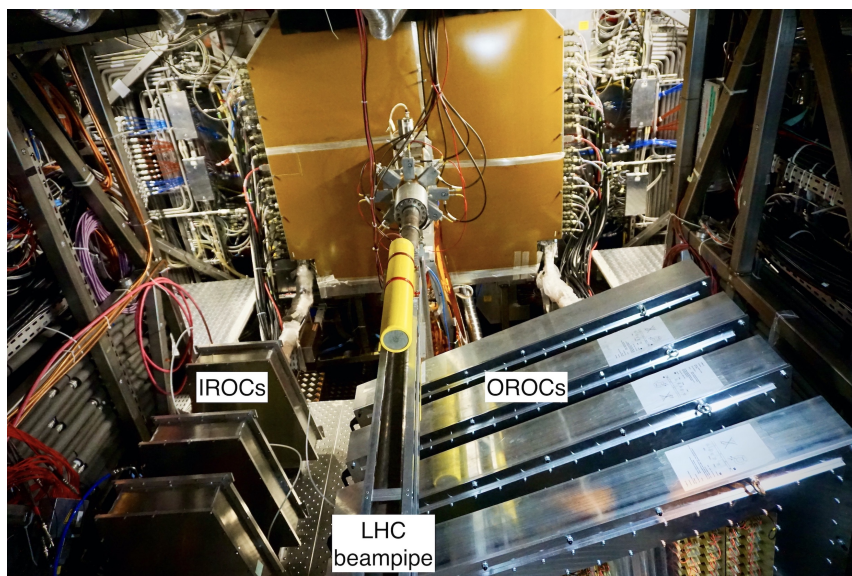


Figure 25. IROCs and OROCs installed under the LHC beampipe, a few meters from the interaction point.

All production chambers were tested in their TT-boxes. In total, 28 IROCs and 16 OROCs were irradiated at the LHC until the start of Long Shutdown 2 in December 2018. The voltages were ramped automatically according to the beam modes, and replaced during available time windows after several tens of hours of operation. Thus, these tests produced zero impact in the normal operation of the ALICE experiment and of the LHC. In 10% of the stacks, a systematic instability was identified in the form of an imperfect soldering of the HV wire to the GEM 1 bottom electrode, which manifested itself as a discharge current $O(0.1\text{--}1.0\mu\text{m})$ developing from this electrode to ground or to the subsequent GEM electrodes. Passivation of the solder point by a small layer of epoxy completely solved this issue. All chambers treated this way were retested and showed no further signs of instabilities. After the end of Run 2, the remaining ROCs were tested at GIF++.

3.6.2 Tests at GIF++

The availability of the Gamma Irradiation Facility (GIF++) made it possible to complete the testing and certification of the entire chamber production. The GIF++ facility is located at the CERN SPS North Area. It features a 14 TBq ^{137}Cs source of 662 keV photons with adjustable intensity [49, 50]. The gamma irradiation was performed at the maximum available rates at the upstream area of the GIF++ bunker. One IROC and one OROC could be tested at the same time. During irradiation,

the chambers were positioned in front of the source at 2 m distance inside of the illumination cone. The chambers were exposed for a one-hour period, enough to spot possible issues with respect to HV stability. The currents induced on the GEM 4 electrodes were higher than those during the tests at the LHC by about a factor of 10.

It was confirmed, by testing several chambers both at the LHC and at GIF++, that the soldering imperfections of the GEM 1 bottom electrode connection manifested themselves at GIF++ in a similar way as at the LHC. Thus, the test at GIF++ was considered equally sensitive as the measurements in the ALICE experimental cavern. In total, 18 IROCs and 27 OROCs were tested at GIF++. Again, about 10% of the stacks exhibited instabilities related to the solder point. All issues were fixed and chambers were retested successfully.

4 High-voltage system

In this section, the new TPC HV system is described. This includes the powering scheme of the new GEM readout chambers and the modifications of the TPC field cage circuit that were necessary in order to adjust the electrostatic matching between the field cage and the GEM ROCs.

4.1 GEM HV system

The GEM HV system is a crucial aspect for the safe operation of the detector. In this section, we describe the powering scheme of the TPC ROCs and the employed components. They have been characterized during extensive R&D and were successfully used during the readout chamber irradiation campaigns at the LHC and at GIF++.

4.1.1 Overview and requirements

The HV settings for the operation of the GEM readout chambers are the result of an extensive optimization (see section 3.2.1). The baseline settings for the voltages across the GEMs, for the transfer fields between the GEMs, and for the induction field between GEM 4 and pad plane are listed in table 9. A first gain equalization across all TPC ROCs is described in section 6.4.3.

Table 9. Baseline settings for the voltages across the four GEMs, the transfer fields between the GEMs and the induction field between GEM 4 and pad plane.

$\Delta V_{\text{GEM}1}$	=	270 V
$\Delta V_{\text{GEM}2}$	=	230 V
$\Delta V_{\text{GEM}3}$	=	320 V
$\Delta V_{\text{GEM}4}$	=	320 V
E_{drift}	=	400 V cm ⁻¹
$E_{\text{T}1}$	=	3500 V cm ⁻¹
$E_{\text{T}2}$	=	3500 V cm ⁻¹
$E_{\text{T}3}$	=	100 V cm ⁻¹
E_{ind}	=	3500 V cm ⁻¹

For the operation of the GEM-based ROCs, a new high-voltage system was designed. It provides high flexibility for the adjustment of the potentials at the various electrodes, and a safe operation of the GEM stacks. Discharges in a GEM stack can lead to damages, in particular if the discharge leads to increased potential differences between adjacent electrodes. In order to maximize operational safety while providing the highest possible flexibility, a power supply system with cascaded channels is used in combination with properly selected decoupling resistors (section 4.1.2 and 4.1.3).

A schematic view of the HV system is shown in figure 26. The power supplies are located in the control room together with the patch boxes, in which the single HV lines are bundled to one thick 80 m-long cable for each TPC sector. In each GEM stack, the current of one of the HV lines is measured with a high-definition current readout device (see section 4.1.4) and the information is digitised. In the cavern, close to the TPC, the bundled HV cable is split into single HV lines inside the protection resistor box (see section 4.1.3). The protection resistor box contains also a $100\text{ k}\Omega$ decoupling resistor (R_{dec}) for each single HV line (see section 4.1.3). Additionally, each segment of the GEM top side is connected via a $5\text{ M}\Omega$ loading resistor (R_{load}), which is soldered directly on the foil (see section 3.1.1). In figure 27, the complete powering scheme including all resistors is shown.

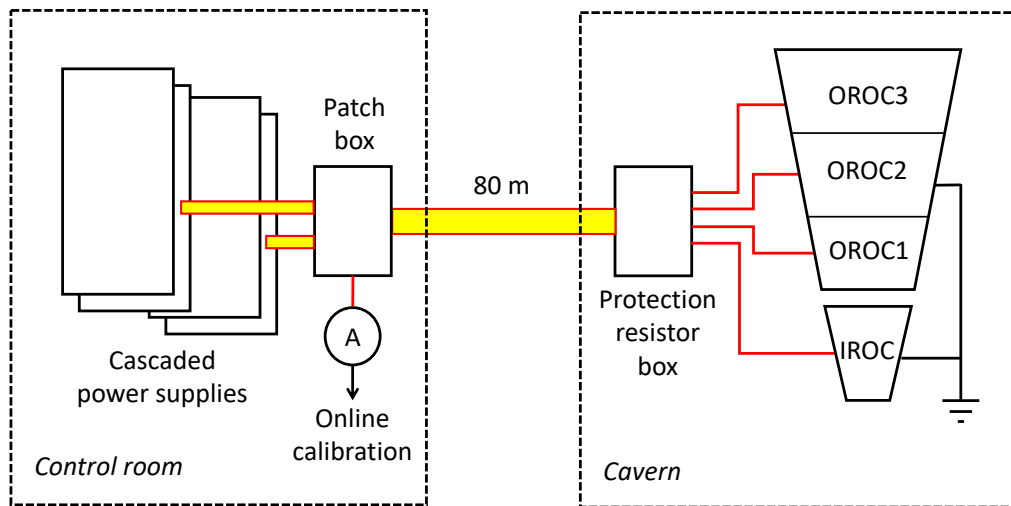


Figure 26. The modular HV scheme, shown for a single TPC sector. In the control room, the channels of two 2×8 channel power supplies are grouped together into a single cable in a patch box, which also houses the shunt resistors for the fast reading of the currents on the top electrode of GEM4. At the detector in the cavern, i.e. at a distance of 80 m, the multichannel HV line is split into individual coaxial cables inside the protection resistor box, in order to power the four stacks of the sector. The ground reference of the HV system is the aluminium structure of the TPC.

The resistor values are a compromise between minimal gain variations caused by voltage drops over the resistor under load and the possibility to supply excess currents in the case of shorts over one or several GEM segments. The chosen resistor value allows for a maximum of eleven shorted HV segments per GEM keeping the maximum leakage current below 1 mA. The change of the gain under load is expected to be at most 14% (10.8% due to the loading resistor) in the

innermost segments of the IROC. These drops are foreseen to be corrected for in the data calibration procedures.

4.1.2 Cascaded power supply

The main component of the HV system is a cascaded power supply unit⁷ from CAEN [51]. It is designed for the operation of quadruple-GEM systems. The 16 channels are stacked in two groups of 8 channels. One unit can thus power two quadruple-GEM stacks. As a consequence, 72 units are used to supply all GEM stacks in the TPC. The current measurement resolution and accuracy were optimized for the TPC requirements. The unit has a floating ground reference that has to be defined by an external connection. The schematic arrangement of the eight HV channels used for a quadruple-GEM stack is shown in the left part of figure 27.

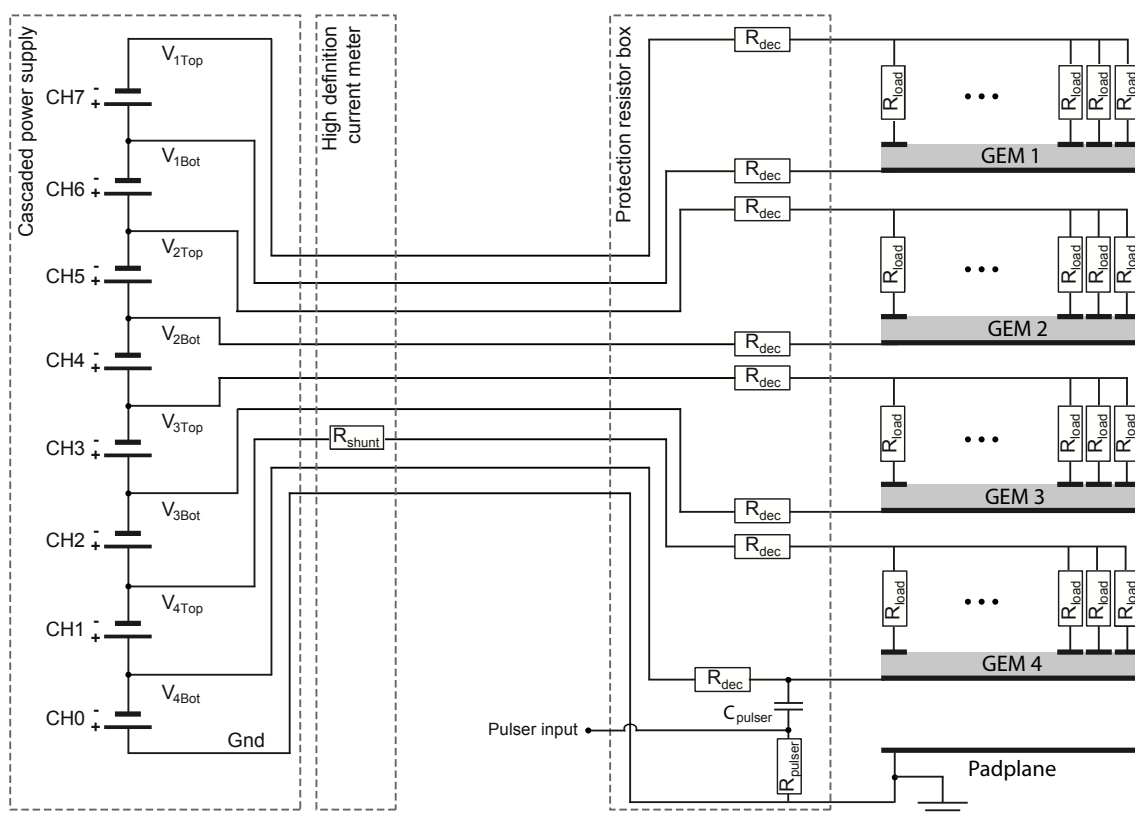


Figure 27. Detailed powering scheme of a GEM stack. Each subsequent high-voltage channel is stacked on top of the lower-lying channel. The ground reference is defined by a separate line connected to the ground of the detector. The line for GEM 4 top is shunted with a resistor (R_{shunt}) inside the high-definition current meter. In the protection resistor box, each line is connected to the detector through a decoupling resistor (R_{dec}). The signal from the calibration pulser is coupled via a capacitor (C_{pulser}) to the line for GEM 4 bottom. All segments on the top sides of the GEMs are equipped with individual loading resistors (R_{load}).

The main advantages of cascaded power supplies over a simple voltage divider are the larger flexibility (each potential can be set individually) and the stability of the potentials on all GEM

⁷A1515QGA.

electrodes in case of significant changes in the leakage current on any electrode, e.g. due to a short. Moreover, they provide high sensitivity to any effect appearing in a single GEM foil, since the currents in all channels are measured individually and simultaneously.

Due to the stacked arrangement of the individual power lines, the risk of over-biasing single channels is minimised. This behaviour was studied carefully with small test setups and with the full HV system during the tests in the ALICE cavern and at the GIF++ (see section 3.6). All tests confirmed safe operation using the cascaded power supply. Each channel can deliver up to 1 kV and has a configurable current limit, which will cause the channel to trip in case the limit is exceeded for longer than a predefined time delay, which can be configured in steps of 0.1 s. The unit provides two distinct operational modes. The *high-resolution mode* provides a maximum current of 20 μA per channel, and an accuracy for the measurement of the currents of 400 pA. This mode is used for the operation of the TPC. The unit provides also a *high-power mode*, which allows currents up to 1 mA per channel with a current measurement accuracy of about 20 nA. This mode would be only needed in case the current consumption of a stack increased due to a short. All units including spares of the final system, i.e. 1264 individual HV channels, were tested to fulfill the requirements. The tested criteria were the current offset (ΔI), the current measurement resolution ($\sigma_{I,\text{res}}$), the current drift during 24-hour operation ($\sigma_{I,\text{drift}}$) in high-resolution mode without load, and the current measurement resolution in the high-power mode $\sigma_{I,\text{pow}}$. Additionally, the correct trip delay time was measured with a dedicated trip emulation board that allows one to apply a current on the individual channels for a defined time. The deviation of the measured trip delay ($\sigma_{t,\text{trip}}$) with respect to the set value is required to be below a given limit. The parameters tested and the required limits are summarized in table 10.

Table 10. Limits of the performance parameters for single channels of the CAEN power supplies. The parameters correspond to the current resolution in high-resolution ($\sigma_{I,\text{res}}$) and high-power ($\sigma_{I,\text{pow}}$) mode, the offset in the current measurement (ΔI), the long-term drift of the current measurement ($\sigma_{I,\text{Drift}}$) and the maximum deviation from the set trip delay ($\sigma_{t,\text{trip}}$).

Parameter	Limit
$\sigma_{I,\text{res}}$	< 1 nA
$\sigma_{I,\text{pow}}$	< 100 nA
ΔI	< 10 nA
$\sigma_{I,\text{drift}}$	< 10 nA
$\sigma_{t,\text{trip}}$	< 10%

As an example, the measured current resolution distribution ($\sigma_{I,\text{res}}$) for all tested channels is shown in figure 28. The mean value of 282 pA is in good agreement with the value stated by the producer (300 pA). Finally, a long-term test of each module at the final position inside the crate was performed. The test results were collected in the database (see section 3.4.6).

4.1.3 Protection resistor box

Primary discharges in a GEM foil can be followed by violent secondary discharges in the transfer gap. In order to reduce the probability for secondary discharges [12], serial decoupling resistors

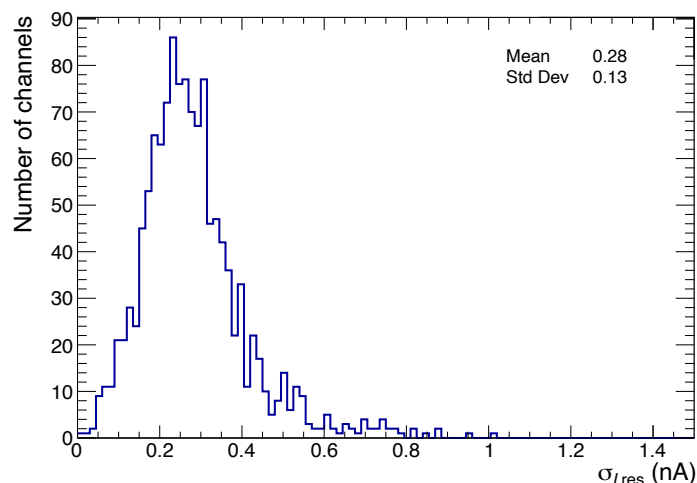


Figure 28. Resolution of the current measurement ($\sigma_{I,\text{res.}}$) in high-resolution mode for all HV-channels.

(R_{dec}) are installed close to the detector in all HV channels (see figure 27). The interplay of the cable length between the resistor and the GEM, as well as the value of the decoupling resistor, were carefully studied [32]. As a result, decoupling resistors are used for each individual HV line (see R_{dec} in figure 27). The chosen value is the lowest possible providing sufficient safety for the GEMs, while keeping the gain change under load, additional to the contribution of the loading resistor, at a level of about $\sim 3\%$.

All decoupling resistors of a TPC sector are located inside the protection resistor box, mounted close to the sector on the TPC. The PRB is also used to split the thick multiline HV cable that arrives at the TPC into individual coaxial lines. This results in cable lengths of 1–3 m between PRB and GEM. The boxes are designed to allow for an easy modification of the resistor values. In order to prevent floating channels, but still have the flexibility to modify the resistance, each channel is equipped with three resistors of values 50 k Ω , 100 k Ω and 350 k Ω , connected in series, and each of them can be shorted using parallel jumpers.

In addition, the PRBs contain also the input connection for an external pulser signal, which is coupled via a 30 pF capacitor (C_{pulser}) to the HV line of each GEM 4 bottom electrode (see figure 27). The input is terminated by 50 Ω . For the generation of the pulser signal, the same device as for the MWPCs is used [5], but with inverted polarity. To ensure equal timing of the pulse position relative to the trigger in all stacks, the length of the cables to all GEM 4 bottom electrodes is equalized.

4.1.4 High-definition current readout

In order to measure the average drift-field distortions due to space charge from back-drifting ions, but also the fluctuations of these distortions with time, the information about the local track density is used during the online calibration. Since track density variations are reflected in current variations in the GEM stacks, a fast current monitoring system was developed to read the current on the top electrode of GEM 4, which is the electrode with the highest current in the stack. The current reading is realized via the measurement of the voltage drop on a 10 k Ω shunt resistor.

Figure 29 shows an 8 channel current readout module and its main components. The currents are digitized at a rate of 1 kHz by a 24-bit ADC⁸ with a programmable gain amplifier and a reference voltage. This is sufficient for a resolution of better than 1 nA over a dynamic range from 0 to 125 μ A. The data is bit-encoded and sent through an E-Link to an on-board GBTx that transmits the data via an optical link to a receiving FPGA-based readout card (CRU) at the data acquisition side (these components are described in section 5.3). The decoded data is then available for calibration purposes during data processing.

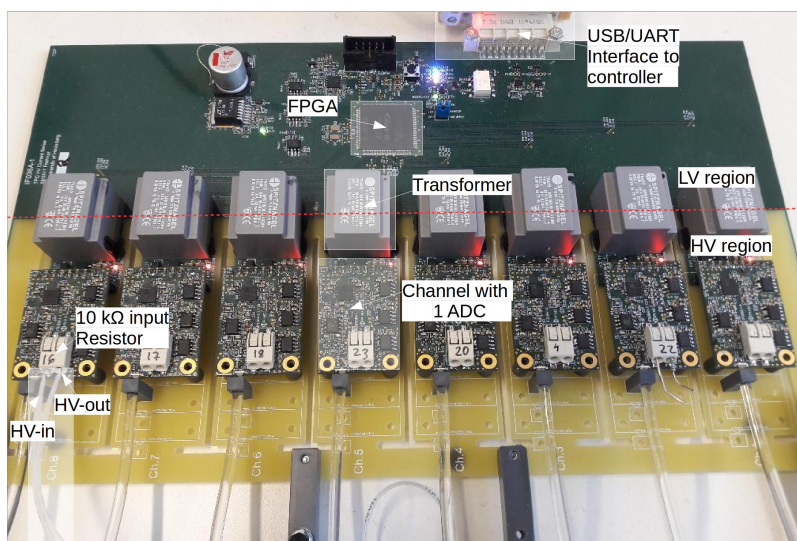


Figure 29. 8 channel module for high-definition GEM current readout [52].

4.1.5 High-voltage components

All high-voltage connectors are from the Lemo S- (51 contact connectors), K- (22 contact connectors) and O5 (single contact) series. The connectors are rated for voltages up to 12 kV [53] and, due to their small size, are very well suited for a large number of HV channels. For the production of the single-pin contacts, an advanced assembly procedure was established using an extra layer of polyurethane lacquer with an increased drying time (12 hours). This procedure reduced the leakage current in a single pin below 200 pA at a voltage of 5 kV, which corresponds also to the requirement for the validation of the HV stability. After the assembly in the final connectors, the parts were tested again at 150% of the operational voltages in the TPC, and only accepted if they fulfil the requirement. The test results were collected in the database (see section 3.4.6).

4.1.6 Control software

The detector control system (DCS) of the ALICE experiment is based on the commercial Supervisory Control and Data Acquisition (SCADA) system WinCC-OA [54]. For the operation of the GEM HV system, the existing software was adapted to handle the new system. Since the used power supply modules are tailored for GEM operation, a channel grouping is realized in the firmware.

⁸24-bit Sigma-Delta Analog Devices AD712404.

This feature allows for the propagation of powering commands to all channels of the stack. Consequently, a trip of a single channel will also switch off all other channels of a given GEM stack. In the operational software, this grouping is also extended to the set-voltage command, which allows one to scale all set voltages relative to the nominal operational voltage. This way of operation was chosen, since the relative scaling of all voltages in the GEM stack is directly related to the gain of the stack.

The most important part in the software is the realization of several stages of protection mechanisms, which will eventually allow easy operation by a shift crew. This includes a proper setting of current and voltage limits and trip delays. Furthermore, a protection mechanism against faulty HV connections, such as swapped cables or disconnected electrodes, is implemented. Although these problems appear very rarely, they could create severe damage to a stack, thus they need to be detected during ramp-up already at low voltages. The proper observables to check for such issues are the ramping currents of all electrodes. During the ramping process, the GEM foils are charged up, resulting in a specific pattern of the charging currents in the two electrodes of every GEM and the electrodes of two subsequent GEMs. This pattern depends on the capacitance of the foils and scales with the ramp speed. Connectivity issues lead to significant deviations from these specific patterns and can be detected easily by software, ensuring to abort the ramping process before high voltages are reached. With the use of a full GEM simulator board [55], the pattern of these charging currents, and the deviations from it in the event of any anomaly, were verified.

4.2 Field cage modification

4.2.1 Overview

The field cage of the TPC is described in detail in [5]. The central electrode is biased to a potential of -100 kV. The uniform electric field in the drift volume is generated by potential strips suspended close to the walls of the inner and outer field cage vessels and powered through a resistor chain (i.e. the resistor rod). In addition, separate resistor chains are mounted on the walls of the field cage vessels. They connect to aluminium strips glued to the walls (guard rings) to prevent local charging-up of their surface. Each field cage vessel is surrounded by a grounded containment vessel, and the gaps between them are flushed with CO_2 . In total, the field cage contains four resistor rods and four guard ring chains.

Due to the small distance of about 4.5 mm between resistor rods and guard rings, the voltage difference between them must be kept sufficiently low. In general, the potential of the last strip of each resistor chain has to be set to a value similar to that of the ROC surface facing the drift volume. In the case of the previous, MWPC-based ROCs, the reference potential was that of the gating grid wires (-70 V), so the chains were conveniently terminated with a small resistor to ground mounted inside the vessels. In the case of the GEM detectors, however, the reference potential is defined by the potential of the GEM 1 top electrode, which is -3.26 kV for nominal configuration. This new scenario requires the setting of the potential at the last strips (both resistor rods and guard rings) with additional power supplies.

For an adjustment of the potential of the last strip, an active powering scheme of the last strip and of the last guard ring was implemented. The resistors that had defined the potential in the past were removed, and existing HV connections in blind flanges in the aluminium endplate were

adapted to the new HV ratings. Furthermore, the connections to the last field cage strips and the last guard ring strips were adapted to the new HV ratings.

The so-called skirt electrodes [5], originally installed along the outer perimeter of the field cage in order to terminate the drift field lines in the gap between the OROCs and the field cage wall, were operated at a similarly low potential. Since the HV interconnections between neighboring skirt electrode plates are not graded for being powered at the GEM 1 top potential, the skirt electrodes were removed. The effect on the electron drift lines was studied with Garfield simulations [15]. In figure 30, the electron drift lines with (left) and without (right) skirt electrode in a region close to the outer vessel are shown. The active powering of the last strip is taken into account in both cases. The simulations show that drifting electrons from a small region of about 1 cm are lost due to the removal of the skirt, as indicated in the right plot. This loss is negligible for the performance of the TPC.

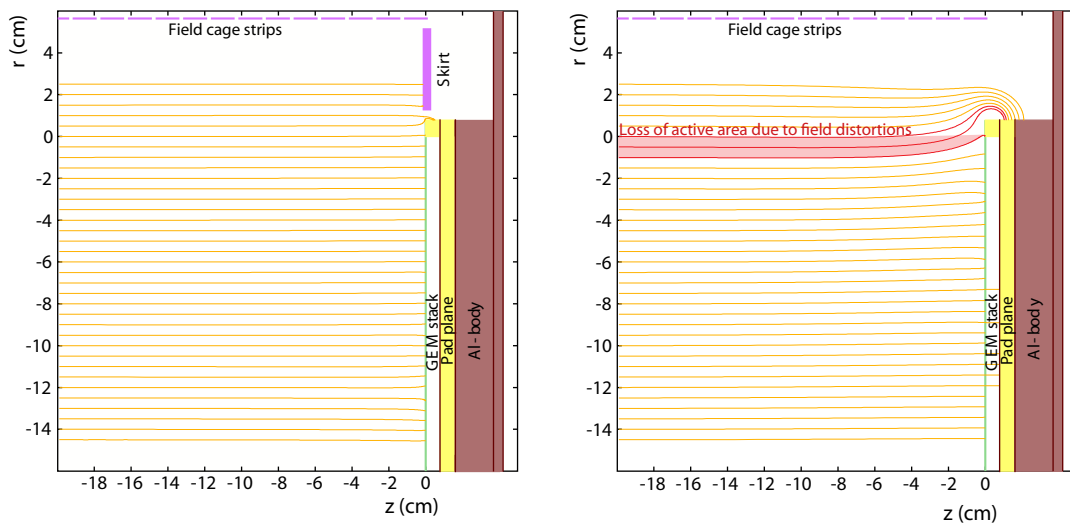


Figure 30. Simulations of the electron drift lines in the region of the outer field cage vessel close to the OROC edge. In both cases, the active powering of the last strips of the field cage is implemented. The left panel corresponds to the presence of a properly powered skirt electrode, whereas in the right panel the skirt is removed. The area in which electrons are lost due to the distortions introduced by the missing skirt is highlighted.

The temperature sensors installed in the skirt electrodes, necessary to monitor the temperature inside the TPC, were replaced by new sensors installed in various existing flanges around the endplate.

4.2.2 Active powering scheme

The active powering scheme that was implemented to achieve the proper potential settings of the resistor rods and the guard rings close to the ROCs is shown in figure 31. A total of eight HV channels are used to be able to independently adjust the potential to terminate each chain, whereas suitable last resistors to ground are chosen to allow for the sinking of a small current to ground. The measurement of these currents provides information about the integrity of the system, while the last resistors ensure that the resistor chains are always properly terminated.

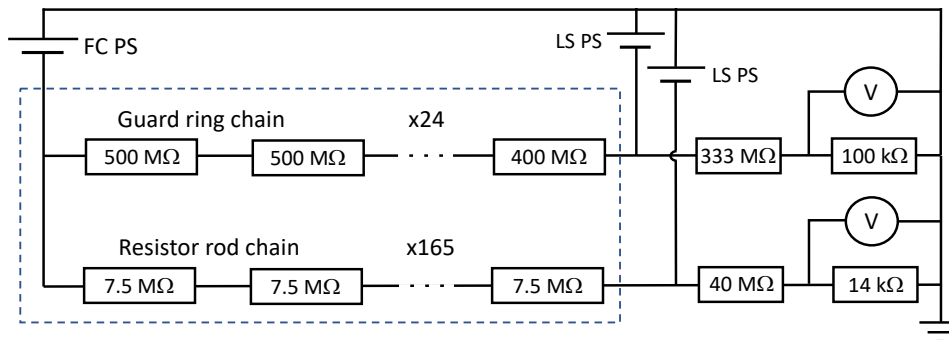


Figure 31. The modified powering scheme of the field cage: the resistor rod and guard ring chains are powered by the FC high-voltage power supply (FC PS). The last strips and guard rings are connected to ground through resistors with suitable values. In addition, they are powered by additional HV channels (LS PS) in order to define the required potentials. A very small resistor is inserted in each chain for the current measurements. These last resistors are installed outside the TPC volume (indicated by the dashed enclosure).

4.2.3 Control software

While the control software of the field cage power supply (FC PS) remains the same as for the old system, new control software is added to drive the power supplies for the active powering of the last strips (LS PS). The voltages on the LS PS are always set according to the voltage on the FC PS, in particular while ramping.

An important safety feature is the early detection of any disconnected electrode which could result in high potentials in any last strip of the resistor rod or the guard ring chain. To avoid such cases, the currents are continuously monitored during ramp-up, which happens typically with a ramp speed of around 130 V s^{-1} . In case of a significant deviation from the given limits, the ramp-up is automatically aborted.

5 Front-end electronics and readout

Charged particles traversing the TPC volume ionize the gas along their path. The electrons liberated in this process drift towards the endplates where the readout chambers are mounted. The signal amplification is provided through the avalanche effect in the GEM stacks. The electrons created in the avalanche drift through the induction gap, inducing a negative current signal on the pad plane, composed of a few thousand readout pads. The signal is characterized by very fast rise and fall times and carries a charge that, in the ALICE TPC, can be as low as 2.4 fC to 3.2 fC for a minimum ionizing particle (MIP), depending on the pad size (see table 5). It is picked up by one or a few pads on the pad plane, each connected to a front-end channel. The front-end electronics and readout system for the upgraded TPC are described in the following.

5.1 System overview

A schematic view of the front-end electronics and readout system is shown in figure 32. 160 front-end channels are combined in a single Front-End Card (FEC). On each FEC, the signals are transformed into differential, semi-Gaussian voltage signals, and digitized in five custom-made

ASICs (SAMPA, see section 5.2). The FEC further incorporates two optical readout links for the digitized data, and one control link (see section 5.3). The FEC is described in more detail in section 5.4.

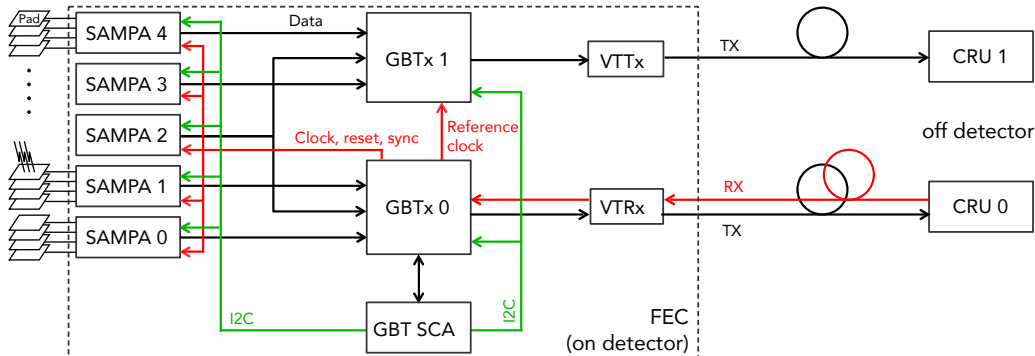


Figure 32. Schematic view of the TPC readout system. The different components are described in the text.

The detector topology leads to a front-end electronics system consisting of 3276 FECs. One TPC sector is read out using 91 FECs. The FECs on both sides of the TPC are supported by a Service Support Wheel (SSW, see sections 6.2 and 6.3). Forces on the endplates of the field cage, and on the readout chambers, are kept to a minimum by the implementation of flexible signal cables from the FECs to the readout chambers. These signal cables are implemented as part of the FEC PCB (Rigid Flex, see section 5.4.2), and allow for a compensation of a relative misalignment between SSW and end-plates of a few mm in all directions.

In total 6552 optical TX (transmit) links are needed to send the digitized data off-detector. This leads to an unprecedented data throughput of 3.28 TB s^{-1} . 360 FPGA⁹-based readout cards (Common Readout Unit, CRU) receive the data and perform online processing (common-mode correction, see section 5.1.3, and data reduction). The FECs can be controlled through 3276 optical RX (receive) links, which also provide the reference clock to the digital circuitry on the FEC. One sector is controlled and read out by ten CRUs. The partitioning of the pad regions is realized in a way that each CRU receives data from complete rows of pads. The pad dimensions and other parameters of the ten pad regions are described in table 5.

5.1.1 General requirements

The requirements for the front-end electronics system are listed in table 11. With respect to the previous, MWPC-based readout system, the new FEC has to meet two new requirements: continuous readout and negative input signal polarity.

The requirement on system noise is based on the performance achieved with the previous system. The amplifier peaking time is unchanged. For the Charge Sensitive Amplifier (CSA), a requirement for the saturation limit of 30 nA is derived from the expected average rate of primary ionization clusters (up to about 3 nA per pad). The factor of 10 accommodates for fluctuations due to local track multiplicity. A dynamic range of 100 fC allows for the measurement of the ionization signals of low-momentum particles that may produce signals 30 times larger than those of a MIP.

⁹Field Programmable Gate Array.

Table 11. Front-end electronics requirements.

Number of channels	524160
Signal polarity	negative
CSA saturation limit	>30 nA
Dynamic range	$30 \times \text{MIP}$
Average system noise (ENC)	670 e (r.m.s.)
Conversion gain	20 (30) mV fC ⁻¹
Cross talk	<2%
Peaking time	160 ns (FWHM: 190 ns)
ADC sampling rate	5 MHz
ADC resolution	10 bit
Readout mode	continuous
Power consumption (total)	<100 mW per channel

With respect to the previous system, the linear range was reduced for the benefit of a better resolution around the threshold level. The conversion gain was increased from 12 to 20 mV fC⁻¹. In order to approximately match the signal amplitudes in IROCs and OROCs, a second conversion gain setting of 30 mV fC⁻¹ may be used to compensate for the smaller pad size in the IROCs. In this case, the linear range is decreased from 100 fC to 67 fC. To minimize the quantization error, the conversion to digital values takes place with a precision of 10 bits.

5.1.2 Sampling frequency

In order to have maximum flexibility for online data processing (see section 5.1.3), all ADC values are transmitted off-detector. The number of optical readout links (and thus the cost of the system) and the power consumption of the front-end electronics were reduced significantly by reducing the ADC sampling frequency from 10 to 5 MHz. 6552 optical links (2 per FEC) are needed in this case. In order to validate possible consequences on the physics performance, full microscopic simulations were carried out [56]. Central Pb–Pb collisions were embedded into a background of minimum bias collisions that correspond to an interaction rate of 50 kHz. The results shown below correspond to various Signal-to-Noise ratios¹⁰ (SNR) scenarios, including the nominal SNR. At the operational point of the upgraded TPC, i.e. at an effective gas gain of 2000 and a noise level of 670 e, a SNR of 20:1 will be achieved in the IROCs for minimum-ionizing particles.

In the OROCs, the SNR will be larger by a factor 1.3 to 2 at the same gas gain, because the larger pad sizes collect a larger number of primary electrons.

Figure 33 summarizes the dE/dx performance in terms of the separation power, as defined in eq. (3.1), for minimum-ionizing pions and electrons in the plateau region of the Bethe-Bloch curve, using the total cluster charge as estimator. Closed and open symbols correspond to small and large pseudorapidities, respectively (here shown in terms of the tangent of the dip angle). Circles

¹⁰The SNR is the ratio between the MIP signal in the largest pad-time bin (Q_{\max}) in a cluster and the average noise.

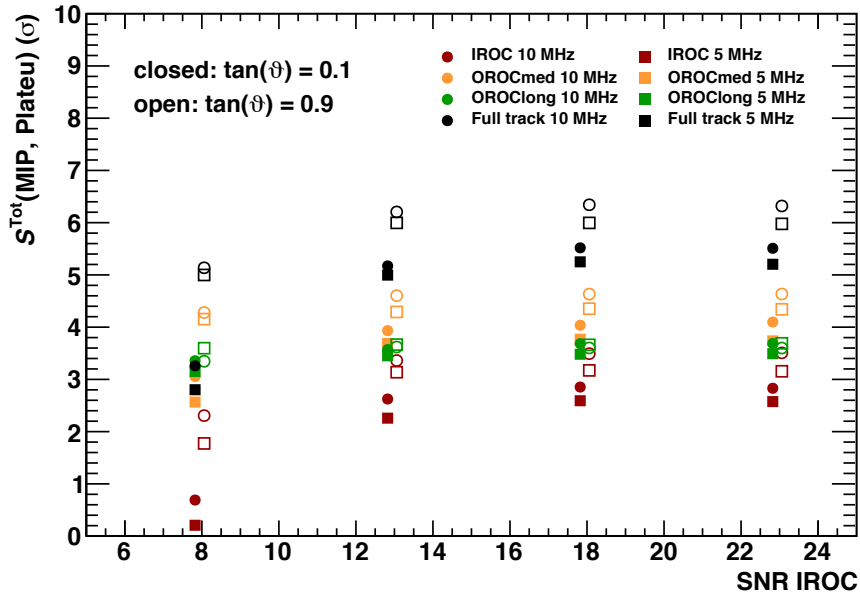


Figure 33. Separation power of minimum-ionizing particles with respect to particles at the plateau of the energy loss as a function of the SNR. Closed symbols correspond to small pseudorapidities (η), open symbols to large pseudorapidities. Pseudorapidities are expressed as the tangent of the dip angle, the angle between the particle momentum and the electron drift direction. Circles correspond to the 10 MHz sampling case, squares to the 5 MHz sampling case. The colors correspond to the different pad regions. Black is for the full track length.

depict the 10 MHz sampling case, squares the 5 MHz sampling case. The colors correspond to dE/dx calculated in different pad-length regions. The studies were carried out with the pad plane design from the previous system, which has two different pad sizes for the OROC: medium and long pads. The black symbols indicate the result for the full track length. The overall difference of the separation between 5 and 10 MHz sampling frequency for reasonable SNRs is of the order of 3 to 5%. It is expected that minor differences will be further reduced when a more detailed optimization of the reconstruction algorithms has been carried out.

In figure 34 the track reconstruction performance of the 5 and 10 MHz scenario is displayed for TPC-standalone tracks and for TPC tracks combined with clusters from the ALICE Inner Tracking System¹¹ (ITS). The upper panels show the cluster-to-track association probability as a function of pseudorapidity η and charge-over- p_T , where p_T is the transverse momentum of the particles. The lower panels show the tracking efficiency as a function of $1/p_T$. About 5% less clusters are associated to a track in case of sampling with the lower frequency. The loss is slightly larger for longer drift lengths (small η) due to diffusion. Nevertheless, the tracking efficiency is very comparable in both cases.

Figure 35 shows the transverse momentum resolution, expressed as the width of gaussian fits $\sigma(1/p_T)$, as a function of $1/p_T$, for TPC-ITS-combined tracks (left) and TPC-standalone tracks (right). No notable dependence on the sampling frequency is observed. This observation holds for all SNRs under study.

¹¹The previous design of the ITS (before the respective upgrade) was used for these studies.

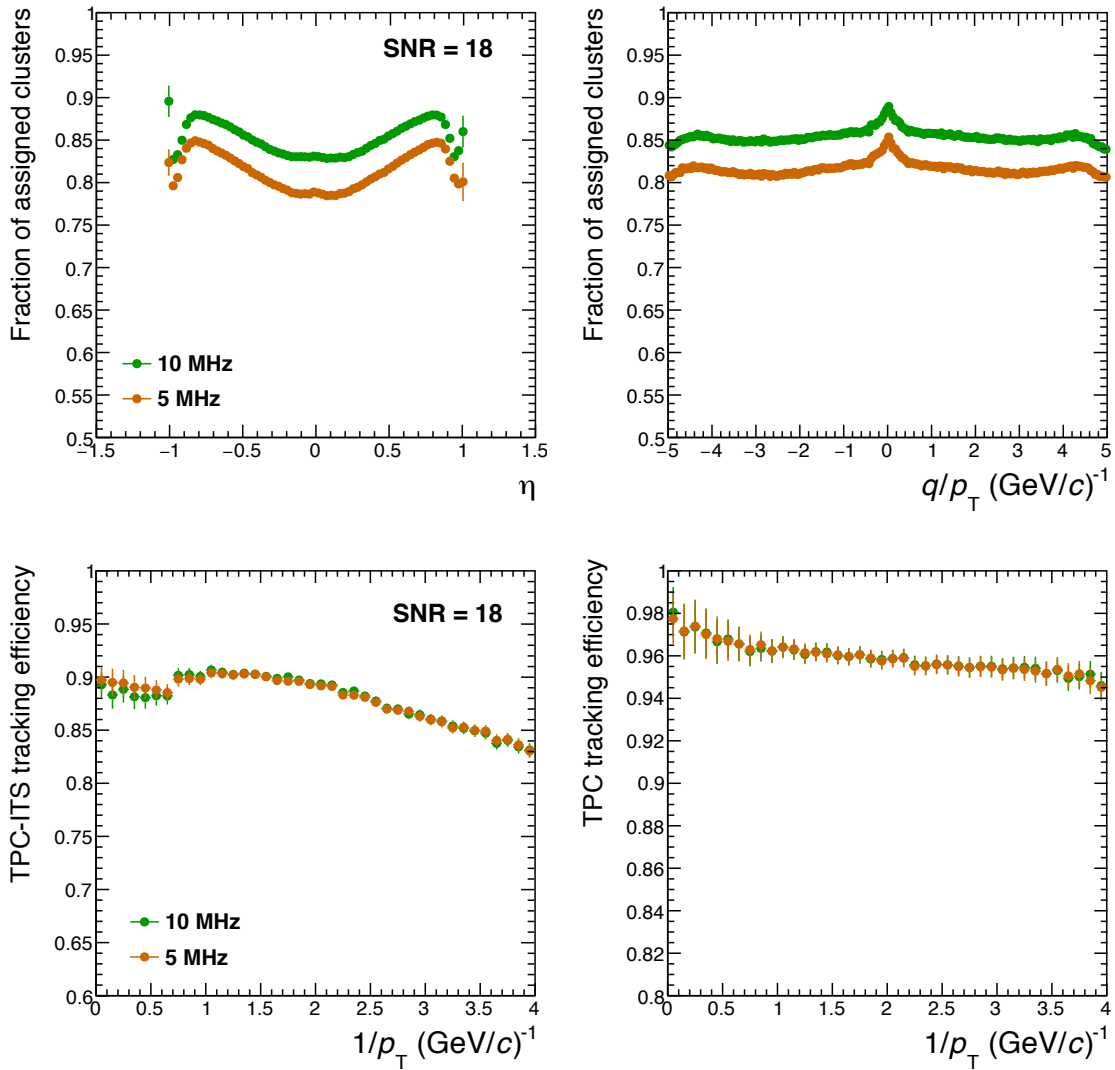


Figure 34. Cluster-to-track association probability as a function of pseudorapidity (top left) and charge-over- p_T (top right) for 5 MHz (orange circles) and 10 MHz (green circles). The bottom left plot shows the tracking efficiency as a function of $1/p_T$ for tracks where data from the ALICE Inner Tracking System (ITS) is included in the tracking procedure. The bottom right plot shows the tracking efficiency for TPC-standalone tracks.

These simulations demonstrate that the dE/dx performance shows only very little sensitivity on the choice of the ADC sampling frequency between 5 and 10 MHz. The same observation holds for the tracking efficiency and momentum resolution. The choice of 5 MHz also does not reduce the safety margin with respect to the nominal setting at SNR = 20:1.

5.1.3 Common-mode effect and correction

The common-mode effect occurs due to capacitive coupling of the amplification structure (i.e. the GEM 4 bottom electrode) to the readout pads. The currents due to charges drifting through the induction gap of a GEM system introduces a voltage drop on the GEM electrode, which leads to

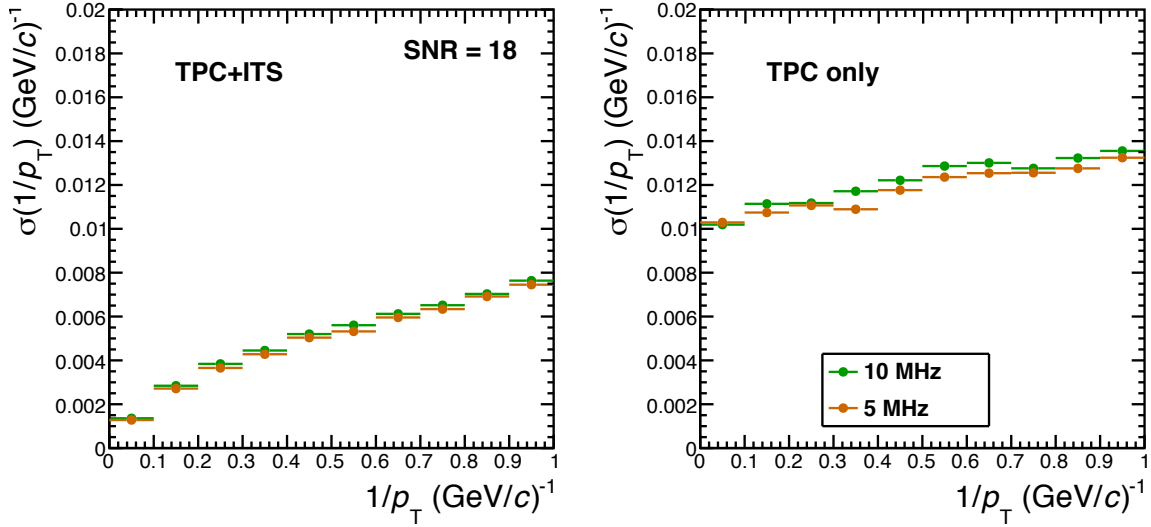


Figure 35. Transverse momentum resolution expressed as $\sigma(1/p_T)$ as a function of $1/p_T$ for TPC-ITS-combined tracking (left) and TPC-standalone tracking (right) in central Pb–Pb collisions with pileup at 50 kHz collision rate. Green and orange circles correspond to the 10 and 5 MHz sampling case.

the induction of a correlated *common-mode* signal with opposite polarity on all anode pads facing the GEM 4 bottom electrode (see figure 36). The amplitude of the common-mode signal on a given pad is suppressed, with respect to the original signal, by a factor related to the surface of the GEM electrode. Common-mode signals pile up in a high-multiplicity environment, leading to an average baseline drop and an effective noise contribution. The magnitude of the common-mode signals can be reduced significantly by adding capacitance between ground and the GEM 4 bottom electrode. However, this counteracts the effort to minimize the stored energy in the GEM system to improve operational stability and safety. Alternatively, the common-mode effect can be corrected based on the available raw ADC data.

Different filtering algorithms were studied to treat the effect inside the SAMPA Digital Signal Processor (DSP, see section 5.2.1). In these approaches, the baseline is restored on the single-pad level. True particle signals are excluded from the common-mode calculation using a slope-based extrapolation approach and a peak-detection algorithm. Quantitative performance studies showed that the average baseline can be well restored. However, a significant correlated noise contribution is added to the data and leads to a sizable degradation of the detector performance (see figure 37).

A much better correction can be achieved by extracting the baseline shift due to the common-mode effect from a large number of pads. This takes into account that the common-mode signal is, to first order, the same on all pads facing the same GEM 4 bottom electrode. If the true particle signals are detected by a simple peak detection algorithm, the baseline can be restored with negligible residual bias and noise contribution by averaging over at least 100 pads (see figure 38). Such averaging over a large number of pads is not possible in the SAMPA DSP, where only data from a single pad is available at a time. In order to achieve averaging over a large number of channels, the TPC readout system was designed such that all ADC raw data are sent off-detector without compression. The data from 1200 to 1600 channels are merged in a large FPGA in a CRU, where efficient and flexible algorithms can be implemented in order to perform common-mode correction.

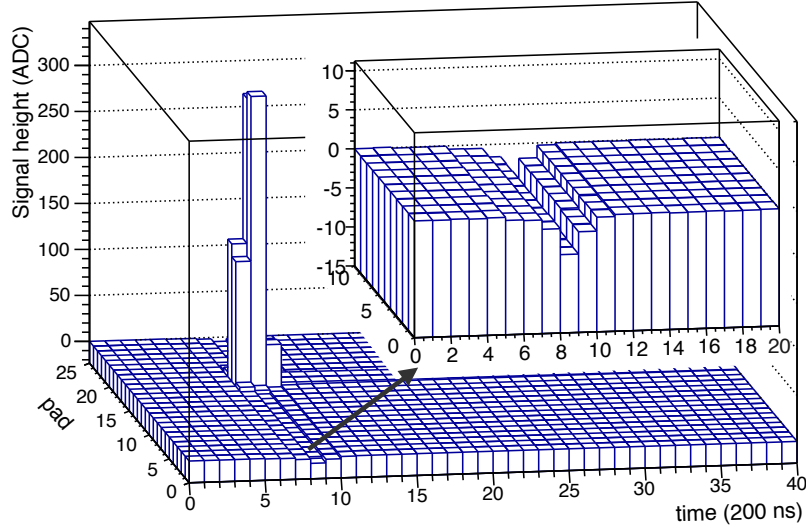


Figure 36. Visualization of the common-mode effect in a data sample triggered by the TPC laser system (see section 6.4.4). Several events are superimposed in order to remove noise fluctuations. Data on 25 selected pads under the same GEM stack are shown. A small signal of opposite polarity is visible on all pads at the same time position as the positive signal from a laser track. Note: since laser signals are induced simultaneously on many pads, a calculation of the strength of the common-mode effect is not possible based on the data displayed here.

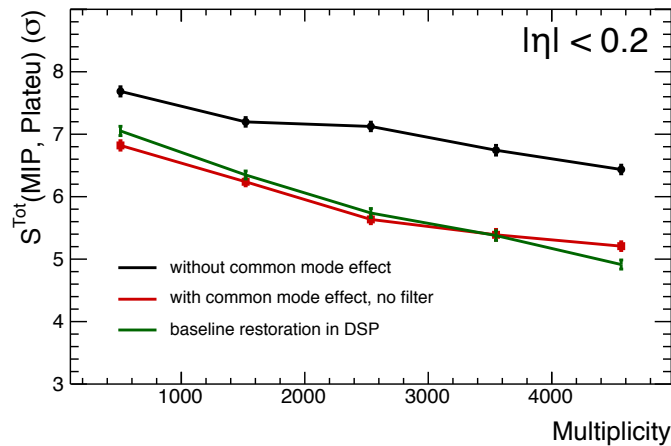


Figure 37. Separation power of minimum-ionizing particles to the plateau as a function of charged-particle multiplicity at midrapidity ($|\eta| < 0.2$). A multiplicity of 4500 corresponds to a central Pb–Pb collision at 50 kHz, i.e. superimposed on 4 minimum bias collisions. The black curve shows the performance without common-mode noise. The red curve shows the performance with common-mode noise, but without correction in the SAMPA DSP. The green, blue, and magenta curves show the performance with common-mode noise and with different parameter settings for the filter algorithm in the SAMPA DSP.

5.2 SAMPA

The SAMPA [57] is a custom integrated circuit containing 32 channels with selectable input polarity and five possible combinations of shaping time and sensitivity. The SAMPA was developed over

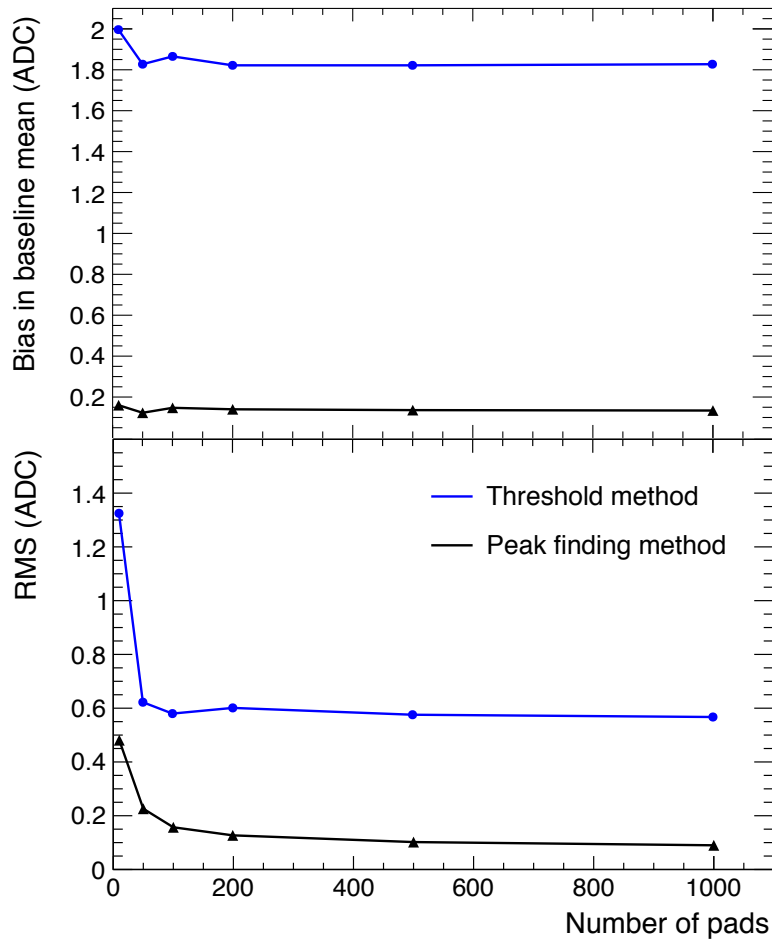


Figure 38. Residual average baseline shift (top) and effective common-mode noise contribution (bottom) as a function of the number of pads used for the average calculation. Two different approaches are used to reject particle signals from the baseline calculation. A constant threshold of 2.5 ADC counts (blue) is compared with a peak-finding algorithm, where the peak region is omitted from the baseline calculation (black).

a series of prototypes, and the v4 design was selected for mass production and instrumenting the ALICE TPC (about 20000 chips needed).

5.2.1 Circuit description

A simplified block diagram of the signal processing chain is shown in figure 39. In the following, short descriptions of the main building blocks are given, following the signal processing path.

The analog part of the SAMPA integrates 32 identical Charge Sensitive Amplifiers (CSAs), followed by a pole-zero cancellation network and a pulse-shaping amplifier. A simplified block diagram of the analog signal processing chain is shown in figure 40. The positive/negative polarity CSA, with capacitive feedback C_f and resistive feedback R_f connected in parallel,¹² is followed by a

¹²With respect to previous versions, the SAMPA v4 features an improved pileup robustness in order to satisfy the TPC specifications. A faster discharge of C_f is obtained by a reduction of the drain-to-source resistance R_f . The pole-zero cancellation resistance R_{pz} is reduced proportionally to maintain a proper cancellation.

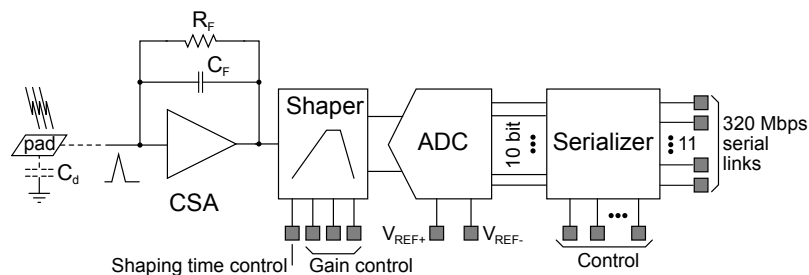


Figure 39. SAMPA block diagram. The Digital Signal Processor block, which is bypassed in the operational mode selected for the TPC, is not shown.

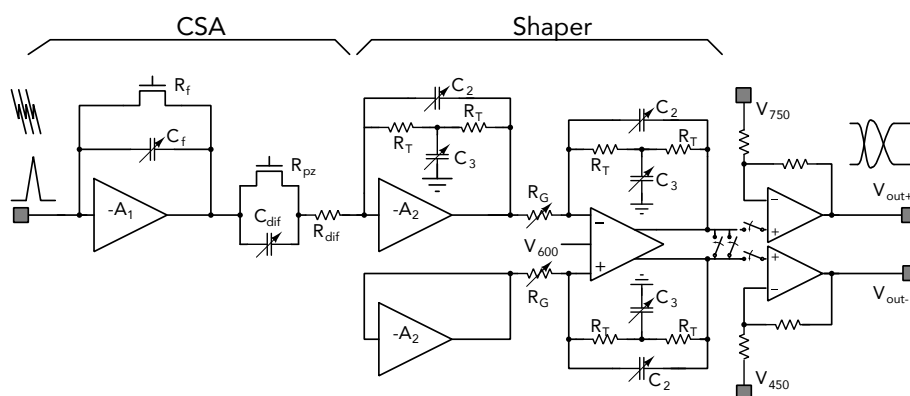


Figure 40. A simplified block diagram of the SAMPA analog signal processing chain.

pole-zero cancellation network, a high-pass filter, two bridged-T second-order low-pass filters and a non-inverting stage.

The first shaper is a scaled-down version of the CSA and generates the first two poles and one zero. A copy of the first shaper, connected in unity gain configuration, is implemented in order to provide a differential-mode input to the next stage. The second stage of the shaper is a fully differential second-order bridged-T filter and it includes a common-mode feedback network. The non-inverting stage adapts the DC voltage level of the pulse-shaping amplifier output to utilize the full input dynamic range of the ADC. It consists of a parallel connection of two similar Miller-compensated amplifiers.

The ADC is based on a differential SAR¹³ architecture and is implemented with a low-power switching technique. It has a resolution of 10 bit and a sample rate up to 20 MHz. The block diagram of the ADC is shown in figure 41. The main parts of the circuit are: a capacitive array, switches, a comparator and the SAR control logic. The capacitor array is used to perform sample&hold and the digital-to-analog converter functions.

The Digital Signal Processor (DSP, not shown in figure 39) block is composed of digital filters, a data formatting unit, a ring buffer, a trigger manager, a configuration register bank, and a control state machine. Eleven serial electrical output links (E-Links) are available for data transmission at

¹³Successive Approximation Register.

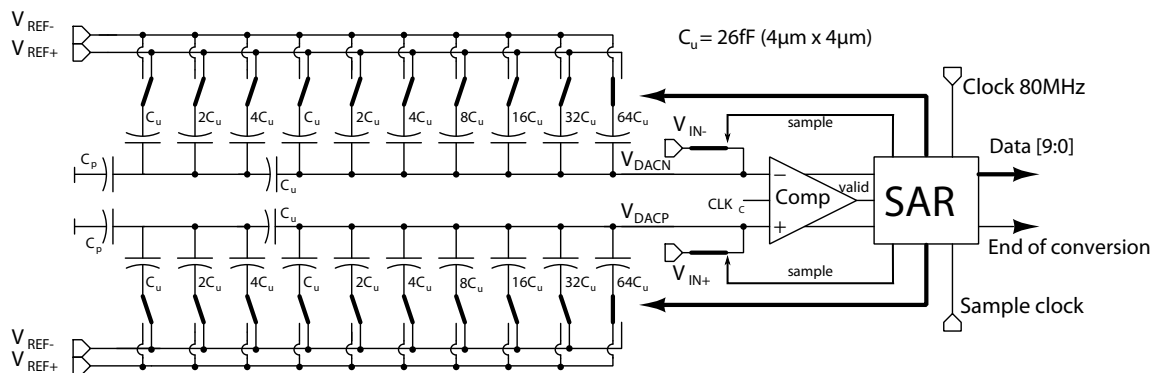


Figure 41. SAMPA ADC block diagram.

80, 160 or 320 Mbit s^{-1} . The E-Links use the SLVS¹⁴ standard. Triggered and continuous operation with data processing in the DSP can be configured. In continuous mode, also direct transmission of all ADC values to the output E-Links can be enabled. In this case, the DSP is bypassed and the DSP processing blocks are shut down through clock gating. The direct readout mode operates with a serialization speed of 32 times the ADC sampling speed, such that 10 E-Links suffice to send all ADC data. The 11th E-Link transmits the sampling clock, which may be used for aligning the data and to monitor the sampling phase. For synchronization to the data stream in direct readout mode, a dedicated 32-cycle pattern is generated upon reception of a dedicated trigger signal.

In direct readout mode, the 10 output bits of each ADC are sent over the 10 E-Links, respectively.¹⁵ In addition, a split mode is available. In split mode, the data for channels zero to 15 and for channels 16 to 31 can be sent to two different upstream receivers.¹⁶ The split mode is used on the TPC FECs due to the particular configuration with five SAMPA chips and two data links per FEC.

5.2.2 Physical implementation

The main physical characteristics of the circuit are summarized in table 12. The chip was manufactured in the 130 nm TSMC CMOS technology. It has a width of 8.9 mm and a length of 9.5 mm, with a total area of 85 mm^2 . It works with a 1.25 V nominal voltage supply. The input and output pads are located on opposite sides of the chip, as shown in figure 42. The 32 analog CSA and shaper blocks are placed directly behind the input pads. The 32 ADCs are arranged in two rows behind the analog channels. The analog and ADC channels are divided in two groups of 16 channels each, separated by the bandgap and bias network in the middle. The DSP uses 60% of the surface of the chip. The E-Link SLVS RX and TX drivers are placed along the output side of the SAMPA chip.

¹⁴Scalable Low-Voltage Signaling.

¹⁵In the first clock cycle (e.g. after sending the synchronisation pattern), the ten bits of the data word from channel zero are sent on the ten E-Links. On the consecutive cycle, the ten bits for channel one are sent, and so on.

¹⁶When using the split mode, the ADC values from the lower 16 channels are transmitted through the lower five serial link numbers, and the ADC values from the higher 16 channels are transmitted through the higher five serial link numbers. In the first clock cycle, the five lower bits of the data word from channel zero are sent on serial links zero to four, and the five lower bits for channel 16 are sent on links four to nine. On the consecutive cycle the five upper bits for channel zero are sent on links zero to four and the five upper bits for channel 16 are sent on links four to nine. The readout then continues with channel one in the same manner.

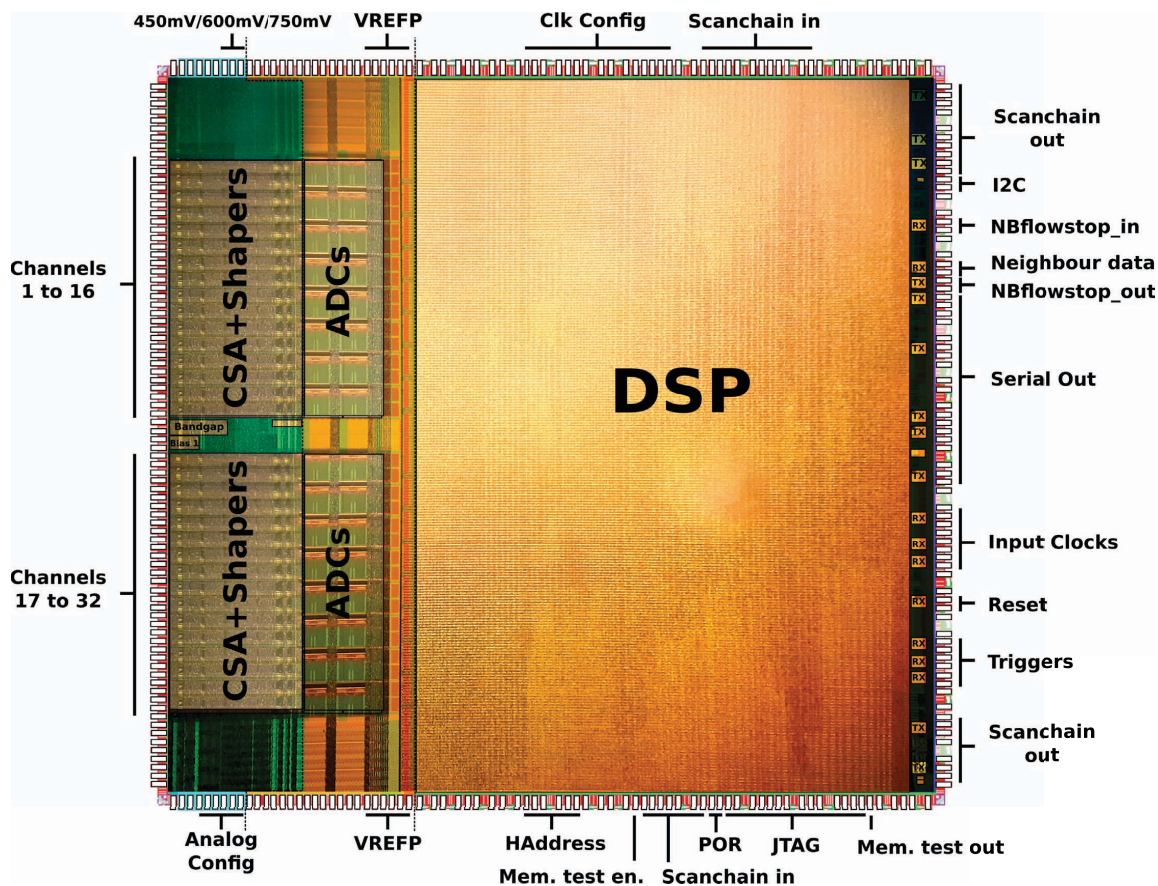


Figure 42. SAMPA chip layout. The placement of the individual functional blocks on the die is indicated, as well as the positions of some of the various input and output pins along the edge of the die.

The SAMPA features device-level ESD¹⁷ protection for handling. It consists of one $7\ \Omega$ resistor, in series with the input pad, and one back-to-back diode pair per input.

As detailed in section 5.6, about 90883 SAMPA chips were tested in the mass production step. These comprise the chips needed for the production of the TPC front-end electronics, and those for the ALICE Muon system, that uses the same ASIC. 79.6% of the chips were fully functional. The general performance of the chip is listed in table 13. About 19500 good SAMPA chips were selected for the production of the TPC FECs, including spares.

5.3 Giga-Bit Transceiver optical link

The data produced by the SAMPA ASICs are multiplexed into optical readout links. For this purpose, the radiation-hard Giga-Bit Transceiver optical link (GBT) [58] system is used. The GBT system was developed at CERN with the purpose of providing within a single optical link the simultaneous transfer of all types of information required by High-Energy Physics experiments: readout data, timing and trigger information, and detector control and monitoring information. These different logical paths are merged into a single optical bi-directional link operating at a rate of $4.8\ \text{Gbit s}^{-1}$.

¹⁷ElectroStatic Discharge.

Table 12. SAMPA physical characteristics.

Process	130 nm TSMC CMOS
Die area	85 mm ²
Die size	8944 × 9534 μm ²
Package	TFBGA
Package area	225 mm ²
Package dimensions	15 × 15 mm ²
Number of substrate layers	4
Number of balls	372
Ball pitch	0.65 mm
Number of transistors	36 million
Supply voltage	1.25 V

Table 13. SAMPA key performance figures for TPC settings (at conversion gain 20 mV fC⁻¹, peaking time 160 ns). The acronyms stand for: Effective Number Of Bits (ENOB), Differential Non-Linearity (DNL) Integral Non-Linearity (INL), and Spurious-Free Dynamic Range (SFDR). ¹Measured on FEC at capacitance 12 pF. The spread of the measured distributions (compare to figure 44) is given as r.m.s. ²Measured up to 95 fC (>85% of the full range). ³ADC simulation at 10 MHz sampling frequency, input frequency of 2451171.875 Hz, 90% input range, typical corner at 40 deg. Celsius.

Parameter	Specification	Performance
Noise ¹ (ENC)	<570 e	(529 ± 7) e
Conversion gain ¹	20 mV fC ⁻¹	(19.8 ± 0.3) mV fC ⁻¹
Baseline values ¹	<200 mV	(167 ± 19) mV
Crosstalk ¹	<2%	(1.34 ± 0.12) %
Peaking time	160 ns	165.3 ns
CSA saturation limit	>30 nA	33 nA
Max. non-linearity ²	—	10 mV
ADC ENOB ³	>9.2	9.25
ADC DNL ³	—	<0.2 LSB (r.m.s.)
ADC INL ³	—	<1 LSB (abs.)
ADC SFDR ³	—	-59.0 dB
Power per channel (SAMPA only)	<35 mW	9 mW (direct readout mode)

The default user bandwidth of 3.2 Gb s⁻¹ (plus 80 Mb s⁻¹ for control and monitoring data) guarantees protection from bit errors, since it implements a Forward Error Correction mechanism. The bandwidth can be increased to 4.48 Gb s⁻¹ in the TX link from the front-end electronics to the CRU by activation of the *wide frame mode* [59]. In this case, the Forward Error Correction is

not available. This mode is enabled on the TPC front-end card. In the following, the individual components of the GBT system are briefly described:

- The **GBTx** transceiver ASIC is a radiation tolerant link interface chip with a large number of programmable options [59]. It acts as an interface for up to 40 front-end modules, depending on the communication bandwidth selected, that can be connected to the device by means of electrical links (E-Links). An E-Link consists of three differential signals: data input and output (operating at 80, 160 or 320 Mbit s⁻¹), and a clock output at 40, 80, 160 or 320 MHz. In transceiver mode the GBTx recovers the LHC clock, which allows the GBTx to act as a clock fan-out using the E-Links and eight phase/frequency programmable output clocks. The E-Ports are equipped with a phase-aligner for the data inputs in order to provide optimal sampling of the incoming data stream. The GBTx serializes and multiplexes these data streams and sends them to the optical data transmission components. The data consists of frames with size 120 bit sent at 40 MHz, where the data from each E-Link is associated with a specific set of bits in the frames.
- The Versatile Transceiver (**VTRx**) is a bi-directional custom-developed optical transceiver module loosely following the SFP+,¹⁸ form-factor [60]. The uni-directional Versatile Twin Transmitter (**VTTx**) module consists of two transmit channels in the same package as the VTRx.
- The **GBT-SCA** ASIC [61, 62] distributes control signals to the different components on the FEC, and performs monitoring operations (read voltages, currents and temperatures). It provides various user-configurable interfaces capable of performing simultaneous operations. In particular, the 12-bit ADC channel with 31 multiplexed, analog inputs, the I2C,¹⁹ serial bus channels, and the General Purpose digital IO lines (GPIO) are used on the TPC FEC (see section 5.4.4).

5.4 Front-End Card

The FEC comprises the following functionality: amplification, shaping and digitization of the TPC signals, multiplexing and sending of the digitized data, and monitoring and control of the individual components.

5.4.1 Circuit description

The final (Rev. 1a) FEC is shown in figure 43. The FEC receives 160 analog signals through 4 flexible cables and the corresponding connectors. Each FEC includes five SAMPA chips, which amplify, shape and digitize the input signals in a continuous manner. The digital signal flow is shown schematically in figure 32. The FEC includes two GBTx and one GBT-SCA chips, one VTRx and one VTTx. The bi-directional VTRx is connected to GBTx0 and further to the GBT-SCA. The clock is received from the CRU through this link, and distributed to the five SAMPA chips and to GBTx1. The E-Links are operated at 160 Mbit s⁻¹. The ADC sampling clock of 5 MHz is derived by division from the E-Link clock speed inside the SAMPA chips.

The SAMPA chips are operated in direct (split) readout mode (see section 5.2.1). Each SAMPA produces a data rate of $32 \times 10 \text{ bit} \times 5 \text{ MHz} = 1.6 \text{ Gbit s}^{-1}$, which is output on ten of the SAMPA

¹⁸Small Form-factor Pluggable.

¹⁹Inter-Integrated Circuit.

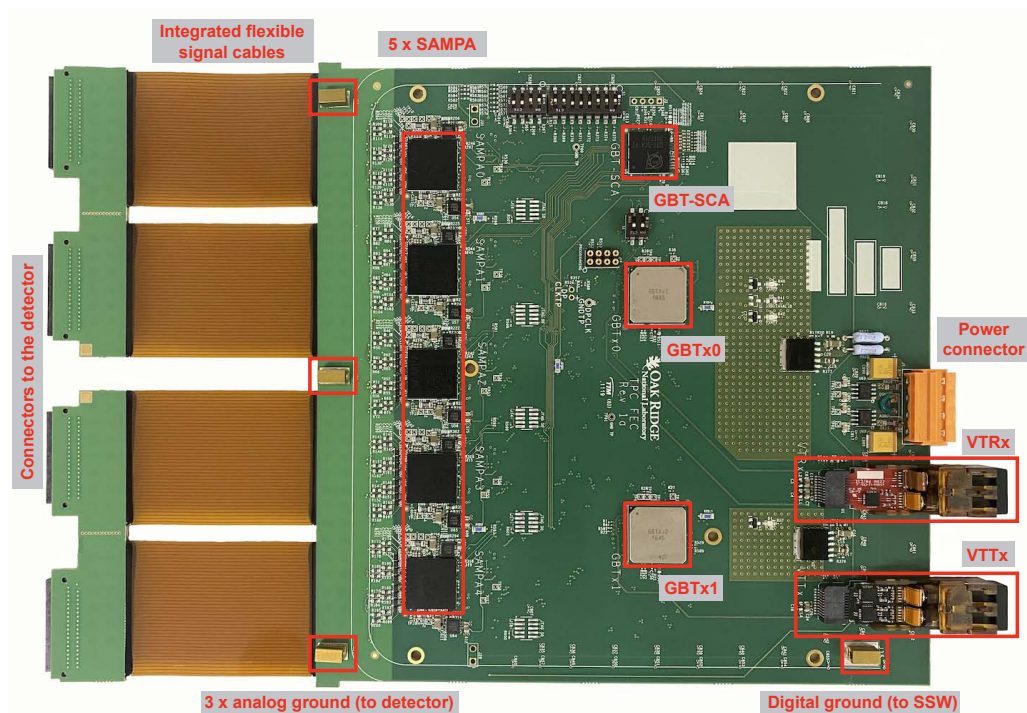


Figure 43. Layout of the final TPC FEC PCB Rev. 1a. The components are mounted on both sides of the board. The figure shows the top side with five SAMPAs, two GBTx, one GBT-SCA, one VTRx, one VTTx, and some other components. On the bottom side a few additional small components and the connectors to the detector are placed.

output E-Links. The eleventh E-Link transmits the sampling clock, which is used for monitoring the sampling phase across all 16380 SAMPAs on the TPC.

In wide frame mode and at 160 Mbit s^{-1} E-Link speed, a total of 28 input E-Links are available per GBTx. The E-Links from SAMPAs 2 are connected such that ADC values from channel numbers 0 to 15 are transmitted to GBTx0, while ADC values from channel numbers 16 to 31 are transmitted to GBTx1 (see figure 32 and section 5.2.1). The eleventh E-Link of SAMPAs 2 is split such that the sampling clock is transmitted to GBTx0 and GBTx1. In this way, all 56 input E-Links across the two GBTx ASICs are utilized.

5.4.2 Physical implementation

The new FEC was designed implementing essentially the same form factor as the old one. The 8-layer FEC PCB utilizes rigid-flex technology, a hybrid construction consisting of rigid and flexible substrates which are laminated together into a single structure. The flexible signal cables towards the detector plane are realized in this way without the need for additional connectors. Only signal traces are routed to the pad plane, ground traces were omitted in order to minimize capacitance. The four flex extensions each terminate in 40-pin right-angle, male connectors,²⁰ distributed on two rigid PCBs.

²⁰ERNI SMC 1.27 mm. Product number 354097.

The physical layout of the board follows from the signal flow. The rigid-flex inputs are all on one side and lead directly to the SAMPAs chips. To minimize the channel-to-channel crosstalk, the five SAMPAs circuits were placed as close as possible to the input connectors. The SAMPAs digital outputs are routed into the GBTx ASICs. The GBTx outputs are routed to the optical transceivers in a more or less linear fashion. The power input and major digital voltage regulation is located on the optical-output side of the board, while the regulation for the SAMPAs analog and digital supplies is located very close to the SAMPAs in order to ensure the supply voltages to be as clean as possible.

The board is divided into an analog section and a digital section. The analog section is supplied with +2.25 V and connects to 1.25 V regulators for the analog functionality of the SAMPAs and to 1.1 V regulators for the ADC reference voltage. The digital section is supplied at +3.25 V and connects to a 2.5 V regulator for the GBTx ASICs and for the GBT-SCA, to a 1.5 V regulator for the VTRx and VTTx, and to 1.25 V regulators for the digital functionality of the SAMPAs. The 2.5 V regulator is heat-sunk through multiple internal layers and has a power-sharing dissipation resistor on the input, which reduces the amount of heat dissipated by the regulator itself.

The ground planes (analog and digital ground) are distributed over two PCB layers that are tied together with three pads, which are located at the power input to the board upstream of the voltage regulators, and close to the SAMPAs ASICs. After installation on the detector, the analog ground plane on the FEC is connected to the ROC AI-body via short cables. Three ground lugs are available for this purpose close to the SAMPAs chips. The digital ground plane is connected to the SSW via similar cables. One ground lug is available for this purpose in one corner of the board.

The planes are designed to take advantage of the SAMPAs pinout locations regarding analog and digital sections. The analog planes are large strips which are placed underneath the SAMPAs front-end input sections and their associated components. The digital planes are placed under the SAMPAs backend and GBTx sections. Even though the SAMPAs substrate grounds are tied together inside the ASIC, an attempt to control return currents and to keep as much digital noise as possible away from the sensitive front-end inputs was made. The closing of the grounds at the output of the board is required to maintain continuity of the power supply to all ASICs. This approach, combined with the use of SLVS signals, has resulted in a very low-noise board.

5.4.3 Power and cooling

In direct readout mode, where the DSP is bypassed, the SAMPAs consumes 9 mW per channel, which adds up to 1.5 W for a 160 channel FEC. A larger fraction of the total power consumption is due to the GBT components. Additional power is also dissipated in the regulators. The combined power consumption for a FEC is about 9 W (56 mW per channel). The Low Voltage (LV) system from the previous system [5] is reused in order to supply the required power. In particular, two low voltage channels are used per TPC sector (91 FECs) to supply the analog (2.25 V, 85 A) and digital (3.25 V, 185 A) power.

Following the implementation of the previous setup, each FEC is embedded into water-cooled copper envelopes. These cooling envelopes are reused from the previous system. Efficient heat transfer from the hottest components to the copper plates is realized by the addition of flexible heat-transfer pads. They are mounted on the two GBTx ASICs, on the five SAMPAs ASICs and on the voltage regulators.

5.4.4 Monitoring and control

FEC monitoring is done with the GBT-SCA 12-bit ADC and includes 14 measurements per FEC. Five resistance temperature detectors (RTDs) are used to monitor temperatures at different positions on the FEC. The resistance of the RTDs is extracted using the SCA-internal current source. To improve the precision of the measurement, the current source itself has to be calibrated. Such a circuit is realized by adding a low tolerance reference resistor on the FEC. The SCA-internal temperature sensor is read out in addition. The primary 1.5 V and 2.5 V supplies of the digital part of the board are voltage monitored. Current monitoring at the input power connector is implemented for the 2.25 V and 3.25 V supplies via shunt resistors (two voltage measurements each). Finally, the received signal-strength on the VTRx interface is monitored.

FEC control is achieved via the GBT-SCA as well, using the I2C protocol and GPIO connections. The five SAMPA ASICs can be powered on/off by setting the appropriate bits in the GPIO output mask. The GBTx0 ASIC is fuse programmed, such that the associated TX and RX links are always active after power to the FEC is established. Tuning of the programmed parameters can be achieved via I2C. The GBTx1 ASIC always needs to be configured after power-up. This is achieved via I2C.

5.4.5 Input protection

The inputs of the SAMPA may be exposed to discharges from the GEM stack. In GEM detectors, discharges typically begin with a sudden, radiation-induced breakdown of the gas rigidity in one GEM. The capacitance of one GEM segment is around 5 nF, and the charge stored is around 1.5 μC . Secondary discharges may propagate to the pad plane (see section 3.2.2), such that a fraction or all of the stored charge is delivered to an electronics channel. The capacitance of the induction gap (GEM 4 bottom to pad plane) is between 1 and 2 nF, and the charge stored is around 5 μC .

The SAMPA features device-level ESD protection for handling. In addition, system-level protection is implemented on the FEC: each of the 160 channels is protected by a circuit containing a resistor directly at the input, followed by a clamping diode.²¹

The protection circuit was optimized in two steps. In a first test, the SAMPA inputs were subjected to real discharges from a GEM detector. The GEM stack was operated at high gain, in order to increase the secondary discharge rate under radiation. Standard axial resistors were used in the protection circuit. A resistor value of 100 Ω was found to protect the SAMPA inputs efficiently. In a second test, different SMD²² resistors with resistance 100 Ω were tested on the final FEC PCB and with a discharge generator. Worst-case charge injections (0.32 mJ into a single pad) were generated using a 1 nF capacitor at 1 kV, and a relay. Many of the tested SMD resistors failed under the load from the discharges, most likely due to heat generated in the device. A few SMD resistor types, mainly labeled “pulse withstanding” or “discharge resistant”, survived a large number (about 200) of discharges without any observable damage. A thick-film resistor for the automotive market²³ was chosen for mass production of the FEC.

²¹Littlefuse SP3004 series, SOT563 package.

²²The input protection resistors have size 0603 (imperial).

²³ROHM KTR03EZPF1000.

5.5 Radiation tolerance

Exposure to energetic particles can produce instantaneous failures and, over time, degradation of electronic components. The High-Energy Hadron (HEH) flux is the primary source of instantaneous failures: Single Event Effects (SEE) may occur when a highly energetic particle strikes the sensitive regions in the digital circuitry of a CMOS²⁴ device, disrupting its correct operation. The SEE are mainly characterized as soft errors (Single Event Upset, SEU, where a memory cell can change its logical state) and hard errors (Single Event Latchup, SEL, where a conducting path through the substrate of the semiconductor creates a short between the supply rail and ground). A slow gradual degradation of the device performance is on the other hand due to Total Ionizing Dose (TID) effects related to damages caused in the semiconductor lattice.

The flux of HEH (>20 MeV) at the TPC inner radius of the SSW is expected to reach $\Phi_{\text{HEH}}^{\text{inner}} = 3.4 \text{ kHz cm}^{-2}$ [63]. At the outer radius the flux is $\Phi_{\text{HEH}}^{\text{outer}} = 0.7 \text{ kHz cm}^{-2}$. Both numbers include a safety factor of 2. The TPC electronics located at the inner radius has to stand a dose of 2.1 krad. These requirements were tested via multiple radiation campaigns. All components were shown to tolerate a TID of at least 10 kRad.

The SAMPA v4 was tested to perform close to specifications to beyond a TID of 12 kRad. Based on the null observation of SEL, an upper limit for the SEL cross section of 10^{-7} cm^2 was determined for ions with a linear energy transfer of $16 \text{ MeV cm}^2 \text{ mg}^{-1}$. Most of the circuitry in the SAMPA is TMR²⁵ protected. However, the clock division circuit to derive the 5 MHz ADC sampling clock from the 160 Mbit s^{-1} E-link clock is not TMR protected in order to avoid the risk of glitches on the voter output. The cross section for flip flops was measured with SAMPA prototypes as 10^{-13} cm^2 per bit. With the number of flip flops used in this circuit (nine), the worst-case HEH flux $\Phi_{\text{HEH}}^{\text{inner}}$, and the total number of SAMPAs (16380), one can calculate an expected error rate of $5.01 \times 10^{-5} \text{ SEU s}^{-1}$, which corresponds to a mean time between failures (MTBF) of 5.5 hours. Such an error will most likely lead to a phase shift of the ADC sampling clock with respect to the other SAMPAs on the TPC. Since all sampling clocks are transmitted via the 11th SAMPA E-Link, and are thus being monitored, the error will be detected on the CRU. The erroneous state can be resolved by resetting and re-configuration within the matter of a few seconds.

The voltage regulators and input protection diodes were tested to over 10 kRad TID using 184 MeV protons. The performance of these devices was subsequently studied further by exposing entire FECs to x-rays with occasional operation and readout of the FEC during the exposure.

The components of the GBT link system were designed to operate in radiation environments much harsher than those seen in ALICE. Consequently, advanced techniques for radiation hardening were applied. The GBTx was radiation qualified by CERN to 400 MRad [64]. SEUs in the configuration registers are automatically corrected by the internal logic. However, other soft errors have to be expected at a low rate [65]: TX and RX *lock errors* cause bursts of errors while the GBTx relocks; TX *frame errors* may cause a few bits to be wrong in one or two individual (consecutive) data frames. Lock errors persist for some time, up to a few μs , until the PLL²⁶ re-acquires lock. As a consequence, several consecutive frames will be affected.

²⁴Complementary Metal Oxide Semi-conductor.

²⁵Triple Modular Redundancy.

²⁶Phase-Locked Loop.

For the full TPC (3276 RX links, 6552 TX links), and using the worst-case HEH flux $\Phi_{\text{HEH}}^{\text{inner}}$, the MTBF for lock errors is expected to be one every 4.9 hours for the RX path, and one every 14.1 hours for the TX path. Since in transceiver mode the clock recovered by the receiver will be used as a reference to the transmitter, any receiver loss of lock will directly impact on the transmitter error rate. As a consequence, the MTBF for all TX lock errors reduces to one every 3.6 hours. The MTBF for TX frame errors is one every 1.8 hours. RX frame errors are effectively corrected by the Forward Error Correction mechanism that is always active in the RX path.

Lock errors will be recovered automatically and will lead to an insignificant loss of data. The consequence of a temporary link loss can be that the synchronization of the data transmission is not guaranteed anymore. In this case, a sync command to all FECs can be transmitted automatically in order to re-synchronize data taking across all TPC links.

Loss of phase alignment of the ADC sampling clocks will be visible by a phase shift on the 11th SAMPAs E-link. In this case, a reset and re-configuration of all SAMPAs is required.

5.6 SAMPAs and FEC quality assurance

The testing and qualification procedure for the electronics was implemented in two consecutive stages. First, all SAMPAs chips underwent functional testing using a semiautomatic setup based on a robot. In a second step, the assembled FECs were tested. All test results were filled into a database (see section 3.4.6).

The digital and analog parts of the SAMPAs were subject to different acceptance tests. The digital parts were required to be 100% functional. The analog parts were allowed a small variation in the most critical parameters (conversion gain, peaking time and DC offset (pedestal) and noise). The test results classified by source of failure are displayed in table 14. The final SAMPAs production yield is 79.6%.

The FECs were required to satisfy the specifications listed in table 11. Without the additional capacitance from the detector, an average noise value over all tested channels of 0.79 LSB (530 e ENC) was achieved. A test station was developed to provide automated testing over the course of mass production. The test station provides automated control of voltages and input waveform generator signals to allow for testing of basic functionality, noise, pedestals, gain, and crosstalk for all 160 channels. Two custom test stations were operated simultaneously at the assembly vendor with a total testing time of 6 minutes per FEC per station. All FECs were required to pass a temperature cycling test. Here, the temperature of a thermal test chamber was cycled from 20°C to 85°C multiple times at 2°C per minute.

The initial yield of FECs satisfying all requirements was 94%. After completing repairs, the overall final FEC production yield for 3646 FECs (including 11% spares) was 99.75%. The distributions of the key parameters are presented in figure 44. The sources of failures are summarized in table 15.

6 Installation and commissioning

In this section, the actual process of the TPC upgrade is described. This 15-month-long operation, executed in a dedicated clean room on the surface of the ALICE site, included the replacement of the

Table 14. Failures during SAMPA testing. Multiple counting occurs.

Failure	Frequency	
None	72 333	79.6%
Power	3790	4.2%
Pedestal	8243	9.1%
Noise	8327	9.2%
Gain	10 427	11.5%
Peaking time	8609	9.5%
Cross talk	469	0.5%
Clock generation	990	1.1%
Data synchronization	1173	1.3%
I2C interface	833	0.9%
JTAG interface	1346	1.5%
Memories	5707	6.3%
Digital tests	5229	5.8%
Tested chips	90 883	100%

Table 15. Failures during FEC testing. Multiple counting may occur.

Failure	Frequency	
None	3637	99.75%
Power	0	0%
Noise	2	0.06%
Crosstalk	7	0.19%
Gain	1	0.03%
Tested FECs	3646	100%

old readout chambers by the new GEM detectors, the installation of the new front-end electronics and a series of basic functionality and performance tests during an extended commissioning campaign.

6.1 ROC installation

After being purged with clean, breathable, and oil-free air, the TPC was moved from the experimental cavern to the surface, cleaned, and installed in the same clean room where it had been assembled fifteen years before. As then, the detector was held inside a frame, and access to the endplates was provided by a large elevating platform on one side, and an aluminium scaffolding on the other side. In order to meet the requirements for handling GEM detectors, the $\sim 1300 \text{ m}^3$ clean room had been upgraded with new air handling units, equipped with coarse (G4), fine (F7), and high-efficiency particulate air (HEPA, H14) filters, capable of supplying air at a rate of $15\,000 \text{ m}^3 \text{ h}^{-1}$ via induction

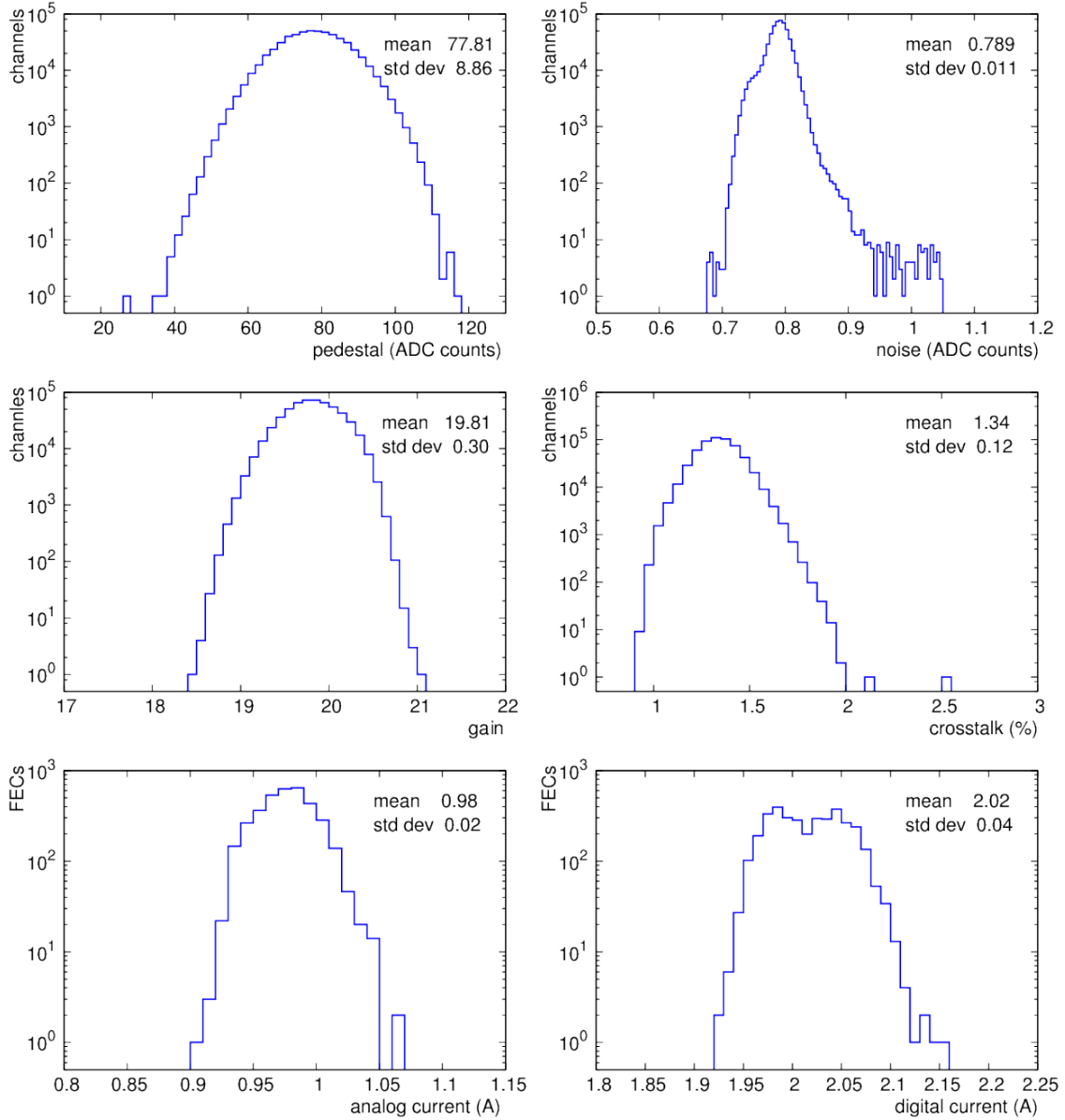


Figure 44. Distribution of the DC offset (pedestal, all channels, top left), noise (all channels, top right), conversion gain (all channels, middle left), crosstalk (all channels, middle right) and analog (bottom left) and digital (bottom right) power consumption (per FEC) over all production FECs. The digital power consumption depends on the temperature of the FEC. A double-peak structure appears in the plot as some FECs were tested immediately after power up, while others were tested after some time in powered state.

diffusion using two textile half ducts. Thus, an ISO 7 air quality was reached in the full room. Furthermore, three extra fan filter units with HEPA filters were mounted vertically on the elevating platform, in order to further improve the air quality to ISO 6 in the area where the GEMs of the new chambers and the TPC drift volume were exposed.

Before installation, all new readout chambers were equipped with resistance temperature detectors (pt1000). They allow temperature measurements at one (for the IROC) or two (for the OROC)

positions on the chamber Al-body. This information, together with the one provided by the internal sensors (see section 4.2), allows for the necessary homogenization of the temperature across the detector.

In order to work inside the clean room, personal equipment such as overalls, hair nets, masks and gloves were worn. All material and tools entering the room were cleaned with compressed N₂ and alcohol (ethanol or isopropanol). The entire clean room, including walls, was cleaned by a professional contractor right after the clean room was opened for operations with an overhead crane. In addition, a weekly cleaning session was scheduled during the ROC installation activities.

The active area of the readout chambers is larger than the corresponding cut-outs in the endplates, so as to maximize the active area between chambers. Therefore, for (un)installing a ROC, it has to be moved into the drift volume and rotated about different axes at subsequent instances. For this purpose, a mounting tool with 6 translational and rotational degrees of freedom was used. Figure 45 sketches an OROC as it is manipulated with the mounting tool at several stages of installation. Figure 46 shows an OROC being inserted into the field cage. The mounting tool was installed on the elevating platform on horizontal rails. In this way it could be moved to the exact position for each chamber. A jib crane (not shown in the figures) mounted on the platform was used to move each chamber to or from the mounting tool.

To install e.g. one OROC, the chamber was fully inserted into the field cage using the main arm of the mounting tool. It was then rotated, brought back, aligned into its cut-out, and finally secured on its three mounting points. At every stage care was taken not to collide with the infrastructure of the field cage (strips, rod-holding brackets, etc.). During the passage of the chambers through the cut-outs, the minimum clearance was less than 10 mm for the IROCs. After installation, the perimeter of the chambers was temporarily sealed with mild tape.

The pace of (un)installation was 2 sectors (2 IROCs and 2 OROCs) per day. First, all MWPCs were extracted on one side, the endplate cut-outs progressively being covered with blind plates. Then the field cage modifications, described in section 4.2, were completed, and the GEM chambers were installed. Conductance and capacitance of each GEM foil was measured after the installation in order to spot any possible issues, such as disconnected HV elements or shorts in GEM segments, at the stage when the chambers could easily be replaced. After completion of one side, the TPC was lifted and rotated by 180 degrees for chamber installation on the other side. Figure 47 shows the last view inside the drift volume before installation of the last readout chamber.

Each chamber is fixed on three points on the endplate. On these points, shims ensure that all chambers lie parallel to the central electrode. Since the tolerance in the thickness of the chamber bodies is $\sim 200 \mu\text{m}$, once one full endplate was equipped with detectors, a photogrammetric survey was carried out to measure the orientation of each chamber relative to the endplate, and thus to the central electrode. These measurements were processed to calculate the correct length of each shim, which were dismantled, machined, and mounted back. Once a new survey gave satisfactory results, the chambers were sealed. Figure 48 shows the results of the photogrammetry before and after shimming, for both sides of the TPC.

In order to decouple the chamber positioning from the gas tightness, the sealing employs a double O-ring, one around each chamber body, one around each sector in the endplate. An aluminized polypropylene foil is placed between endplate and chambers and pressed against the O-rings with square aluminium sealing bars.

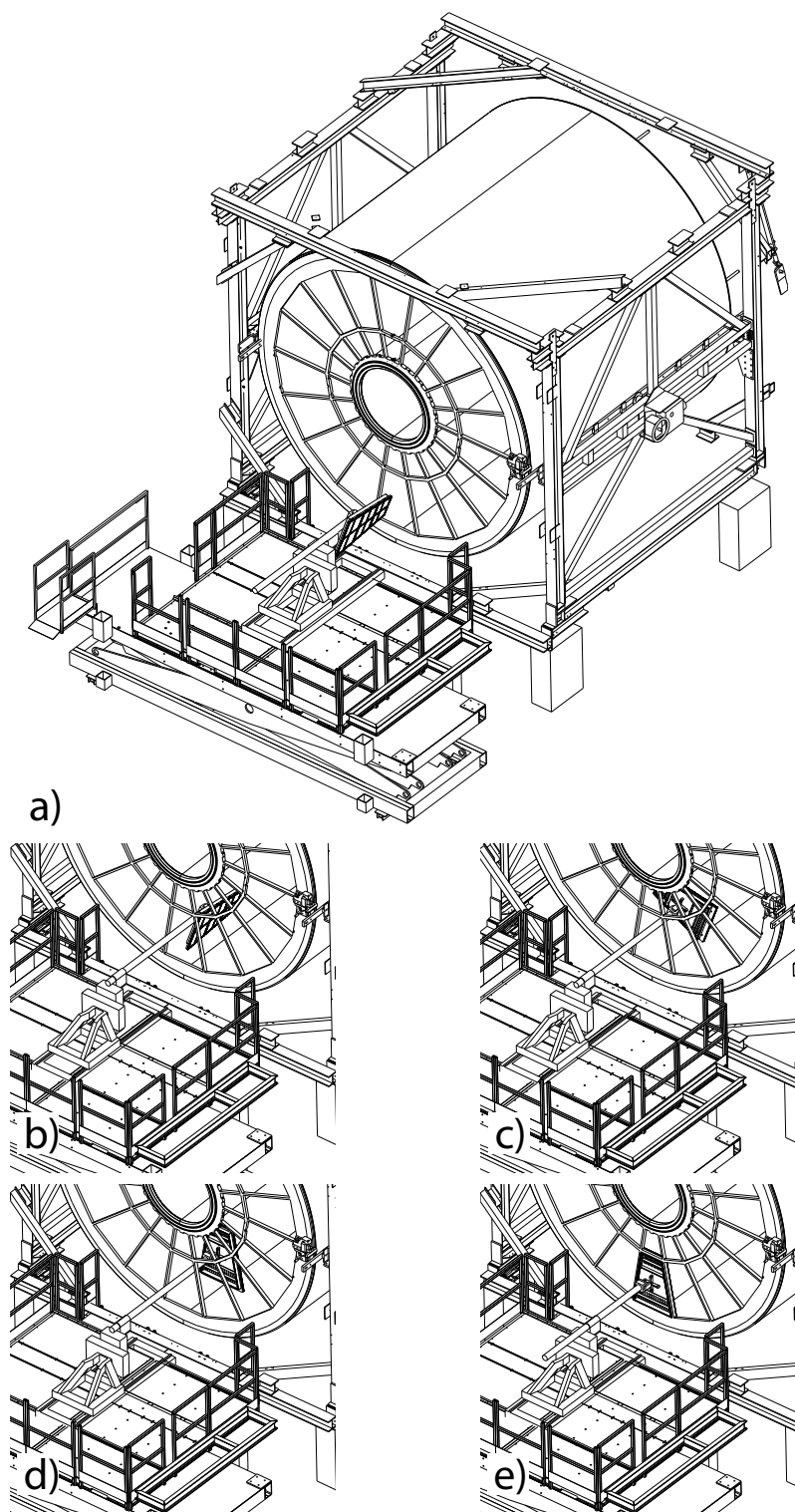


Figure 45. Installation sequence of, in this case, an OROC. The chamber is mounted on the mounting tool, oriented radially in front of its corresponding slot in the endplate (a). The arm of the mounting tool is extended in order to fully introduce the chamber into the field cage (b). It is then rotated to stand parallel to the endplate (c) and roughly aligned in front of its slot (d). Finally, it is brought back into the slot, along with fine-adjustments (e), bolted on the three fixation points, and temporarily sealed.



Figure 46. Installation of an OROC mounted on the mounting tool, which in turn stands on the elevating platform. The uninstalled MWPCs are stored underneath the TPC in TT-boxes, visible in the lower right corner.

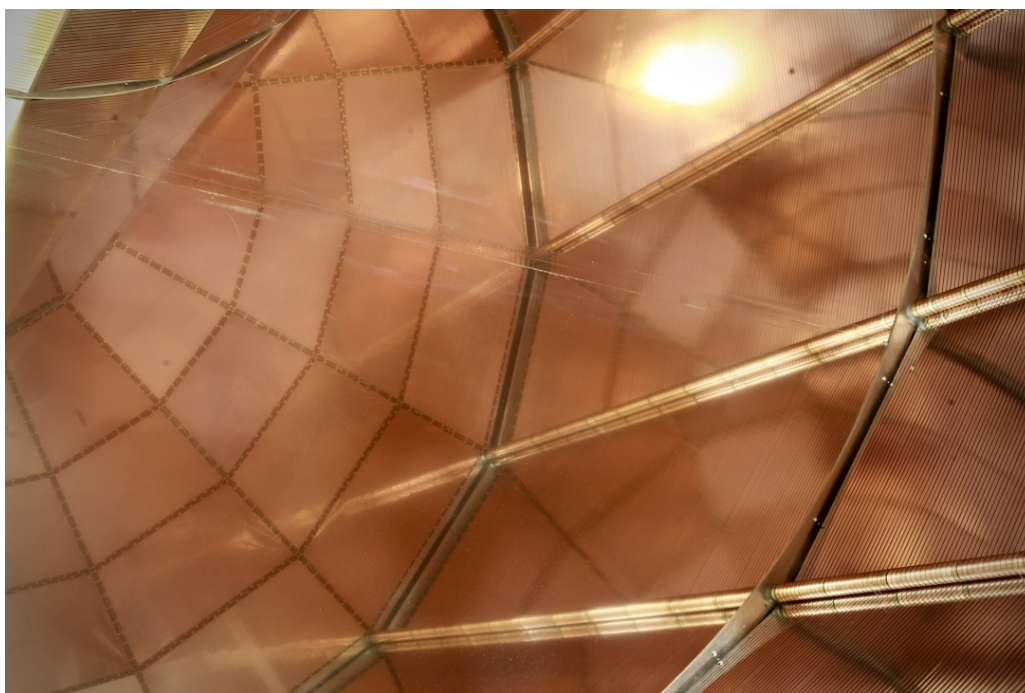


Figure 47. An image inside the TPC. The central electrode reflects a view of the field cage and the readout chambers. The subdivision of each sector into four GEM stacks can be seen.

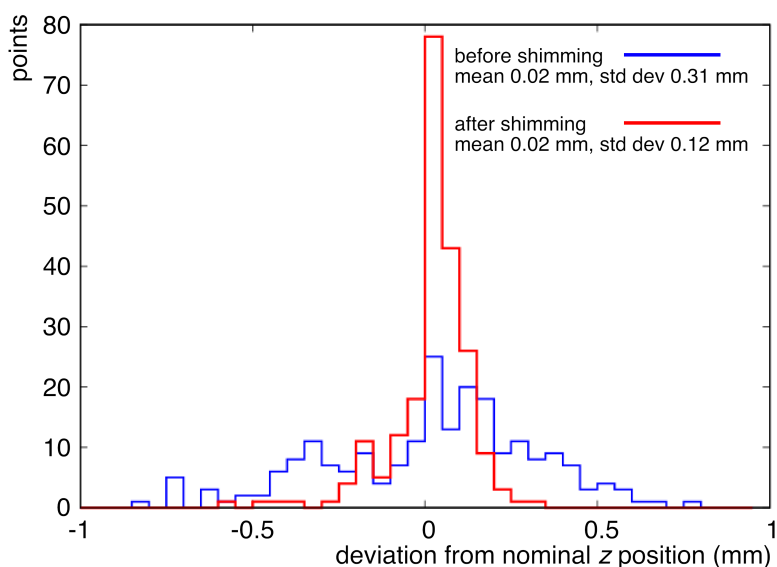


Figure 48. Results of the photogrammetry before (blue) and after (red) the shimming procedure. Mean values and standard deviation of the distributions are indicated in the legend.

6.2 Service Support Wheels

After ROC installation, the refurbished Service Support Wheels (SSW) [5] were installed on the two sides of the TPC. Each SSW supports the front-end electronics and related services (LV and fibers), the HV infrastructure (protection resistor boxes), the manifolds for the various cooling circuits, and the drift gas manifolds. The SSWs were reused with necessary modifications. In particular, the frames holding the FECs were redesigned, in order to take into account the new partitioning and card spacing. In addition, all fibers and HV cables were premounted and routed along the SSW circumference and spokes before mounting on the TPC support rails.

The gas infrastructure was then mounted on the SSWs so that the TPC could be connected to the gas system via temporary pipes laid through an existing network of trenches and shafts. The procedure to fill the TPC with the nominal gas, after verification of its tightness, takes about three weeks.

6.3 FEC installation

Before installation of the FECs, the FEC frames were aligned with respect to the front-end connectors on the corresponding ROC to a precision of better than 1 mm. A small misalignment of up to a few mm can be compensated by the flexible signal cables integrated on the FEC PCB (see section 5.4.2). The installation of an individual FEC was performed by inserting the FEC in the corresponding slot in the SSW, and subsequently inserting the connectors to their counterparts on the ROC (see figure 49) using a suitable tool.

The FECs are connected to a copper grounding bar screwed onto the ROC Al-body by one or two (for the outermost readout partition) copper cables with mini-banana connectors. All FECs in one readout partition are held in place by an additional copper grounding bar screwed onto the SSW. A second ground cable connects each FEC to this grounding bar.

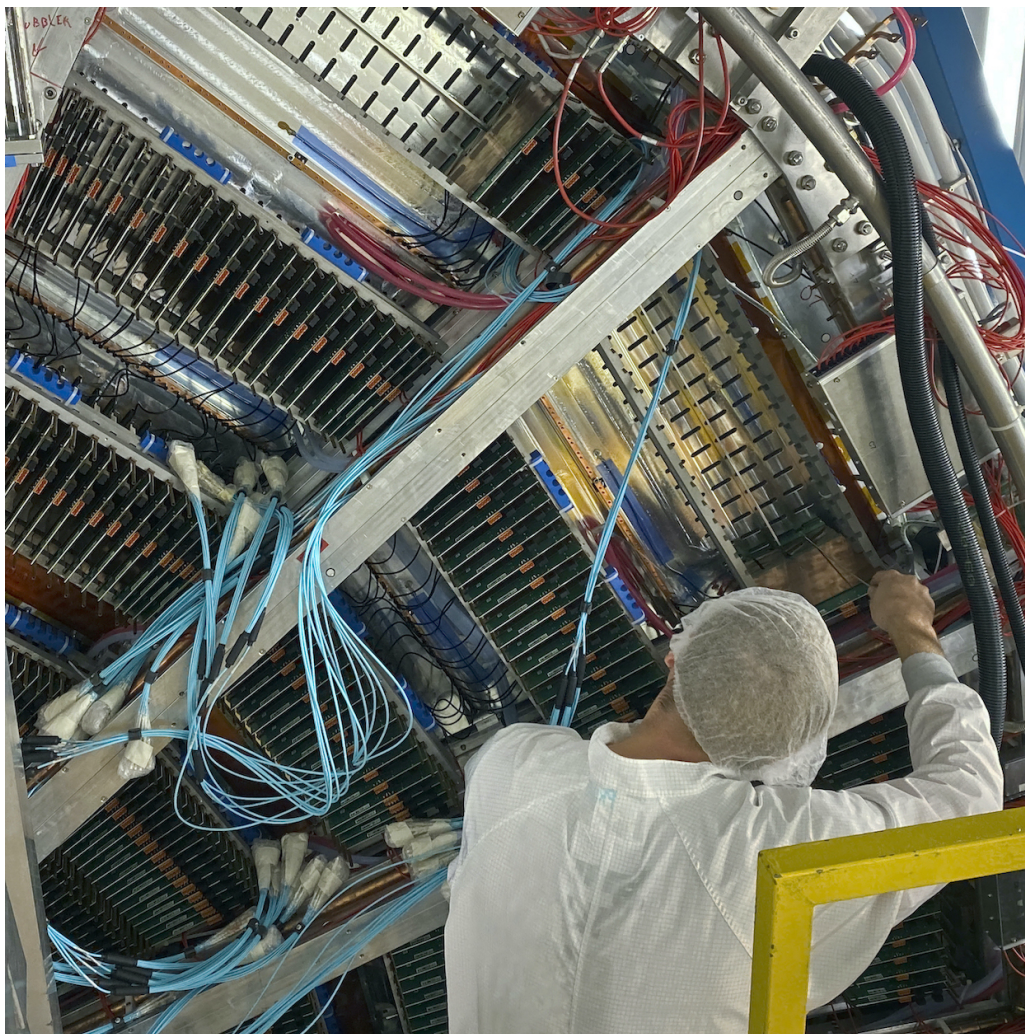


Figure 49. Installing FECs in the outermost partition of one sector.

After installation, each FEC was connected to a temporary readout system, powered up, and tested for connectivity to the pad plane. For this purpose, a pulser signal was injected into the GEM stack through the input provided in the HV protection resistor box (see section 4.1.3). The pulse was synchronized (with a fixed delay of around $50\ \mu\text{s}$) with the readout trigger. About 2% of the FECs were replaced due to different faults found during these tests. These faults included bent pins, damaged connectors and non-functional optical components.

After FEC installation, LV cable bundles were mounted on the copper bus bars running along the SSW spokes, and connected to the FEC. Water cooling loops were defined by connecting the copper envelopes of groups of FECs to the manifolds of the SSW using silicon hoses. Finally, 9828 optical fibers were plugged into the FECs.

6.4 Commissioning

After ROC, front-end electronics and services installation, a first commissioning phase was carried out in order to verify the proper functioning of all chambers and electronics. Only two sectors were

read out at a time due to limited availability of cooling, LV and readout infrastructure. Various modes of data taking allowed for testing and improving the readout and reconstruction workflow. Furthermore, the acquired data were used for calibration purposes and validation of the detector simulation. For each sector pair (two IROCs and two OROCs), the following data sets were recorded:

- *Pedestal runs* are used to determine the pedestal and noise value for each readout channel.
- *Pulser runs* allow for the verification of the proper functioning of each readout channel and for the study of the pulse-shaping properties of the electronics.
- *X-ray runs*, recorded while operating an x-ray generator with Ag target, allow for the study of the chamber stability under high load. Additionally, pad-by-pad gain calibration can be performed.
- *Laser runs*, recording straight ionization tracks from the laser calibration system, as well as photoelectrons emitted on the central electrode, and *cosmic runs*, recorded using a random trigger, are taken to demonstrate track reconstruction and develop calibration procedures.

The data sets were taken in triggered mode. Since the front-end cards send data continuously, data selection of one TPC drift time starting with the trigger was applied in the CRU. No data compression nor data reduction was performed at this stage. The data were recorded as raw GBT frames as sent by the electronics. In the following, the main results of the different tests are presented.

6.4.1 Pedestal and noise measurements

A typical baseline of a single readout pad (channel) is shown in figure 50. The inset shows the distribution. Its mean value reflects the pedestal offset, while the standard deviation is used to characterize the noise. Pedestal and noise values are measured for each pad individually.

To study the intrinsic noise of the system, care was taken to minimize the influence of external sources (e.g. ventilation fans, water cooling unit, electronics crates, etc.) during specific noise

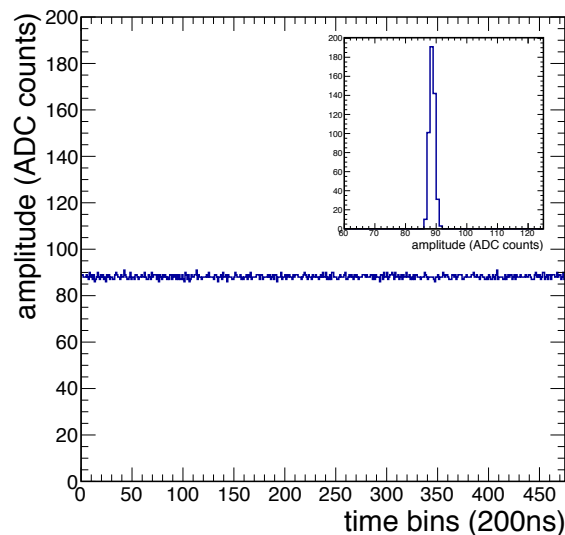


Figure 50. Typical baseline of one readout channel. The inset shows the projection onto the y-axis.

studies. The results discussed in the following were obtained for one sector pair after confirming that the chosen grounding scheme (see section 5.4.2) leads to the anticipated noise figures. They resemble the noise level that can be obtained under close to optimal conditions. During the standard data taking not all disturbances can be eliminated (e.g. clean room ventilation), leading to slightly larger noise values.

Figure 51 shows the noise distribution of all pads (black) as well as for the pad regions corresponding to the four GEM stacks IROC (red), OROC 1 (orange), OROC 2 (green) and OROC 3 (blue). The pads of each stack roughly have the same pad size (see table 5). The mean noise over all pads is 0.97 ADC counts. For the separate stacks, the mean noise is 0.93, 0.97, 0.99, and 1.03 ADC counts in the IROC, OROC 1, OROC 2, and OROC 3, respectively. These figures meet the design goal of a noise of 1 ADC count (see section 5.1.1), which corresponds to 670 e.

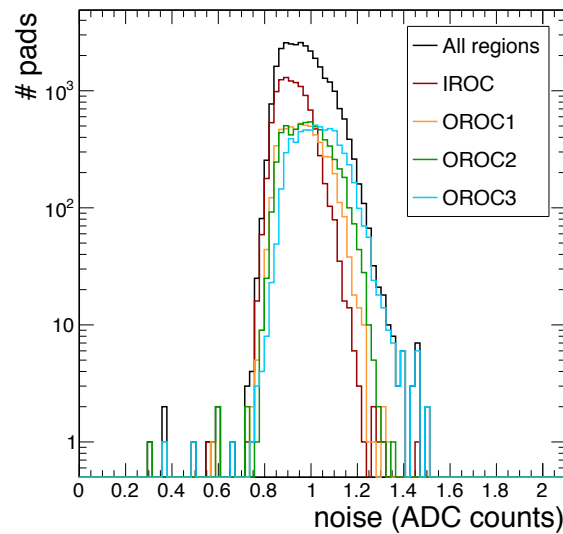


Figure 51. Noise distribution of one sector pair, separately for the IROC (red), OROC 1 (orange), OROC 2 (green), and OROC 3 (blue). The total distribution is shown in black.

The distributions in all pads are slightly skewed towards higher noise values. This is caused by the difference in length of the traces connecting each pad with the connector on the backside of the pad plane PCB (see section 3.1.3). This leads to different capacitances and, therefore, noise values for each pad. Figure 52 shows the correlation of the noise with the trace length for the individual stacks. The data of each stack is fit with a linear function. The average noise values, as well as the fit parameters of each stack, are summarized in table 16. The slope is identical in all stacks ($0.03 \text{ ADC counts cm}^{-1}$). The offset value of the fit contains contributions of the intrinsic noise of the FEC itself, of the connector and of the readout pad. The values obtained when quadratically subtracting the average noise value of the cards (0.79 ADC counts , see section 5.6) from the fit offset are also summarized in table 16 (offset no FEC). Additionally, the values are normalized by the pad area assuming a negligible contribution from the connector (“per pad area” in table 16). While for all OROC pad regions the noise per area (about $0.40 \text{ ADC counts cm}^{-2}$) is similar, the value in the IROC is slightly larger (about $0.59 \text{ ADC counts cm}^{-2}$).

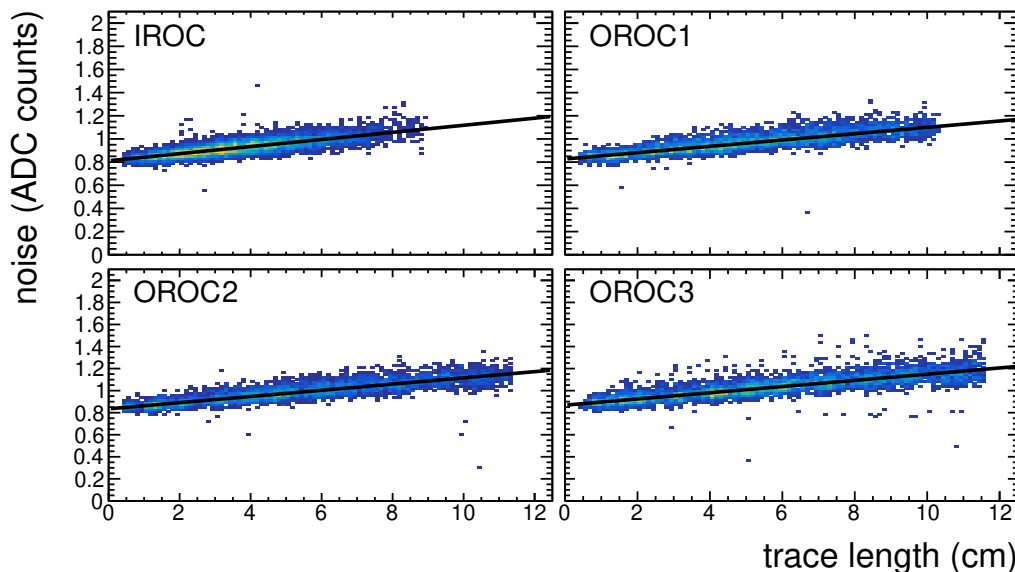


Figure 52. Correlation of the noise with the length of the trace connecting pads and connector, separately for each GEM stack. See text for details.

Table 16. Average noise and standard deviation corresponding to the distributions in figure 51. Offset and slope of the fits from the trace-length correlation shown in figure 52 are given as well. Additionally, the offset values are corrected for the average noise contribution of the FECs by quadratic subtraction (offset no FEC). The corrected offset value per pad area is also given. See text for details.

type	mean (ADC)	std. dev. (ADC)	offset (ADC)	slope (ADC cm ⁻¹)	offset no FEC (ADC)	per pad area (ADC cm ⁻²)
IROC	0.93	0.07	0.81	0.03	0.19	0.59
OROC 1	0.97	0.08	0.83	0.03	0.24	0.41
OROC 2	0.99	0.09	0.83	0.03	0.27	0.38
OROC 3	1.03	0.10	0.87	0.03	0.36	0.40

6.4.2 Pulse-shaping analysis

A pulse (step function) can be injected on the GEM 4 bottom electrode using a calibration pulser system. The pulse is coupled to the corresponding HV line via a 30 pF capacitor (see section 4.1.3). As a consequence, a signal is induced on all pads of the readout plane by capacitive coupling. During FEC installation, the pulser system was used to ensure proper connection of all cards, as well as the integrity of all channels of each card. Cards with faulty channels were replaced.

The pulser system can be used to study the timing and shaping behavior for each electronics channel. The typical response of a single readout channel to the pulser is displayed in figure 53. Pulses are reconstructed in a ± 2 time bin window around the maximum. For the characterization of the response, the weighted mean (t_0), pulse width (std. dev.), as well as the pulse-charge integral (q_{Tot}) are computed for each channel. Typically, each value is averaged over 100 events.

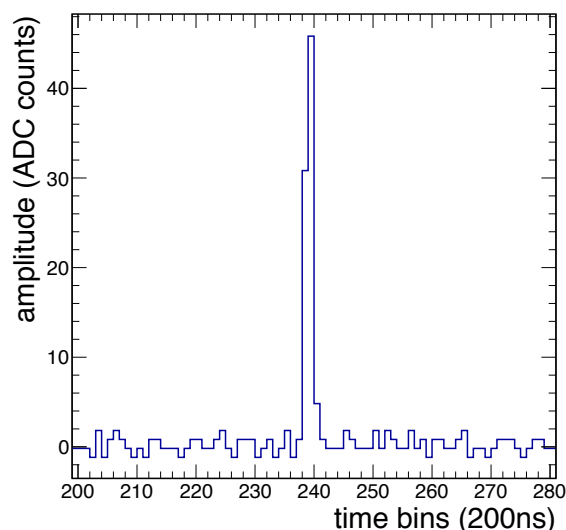


Figure 53. Typical electronics response of one pad to the pulser signal.

The resulting variations are exemplarily shown for one IROC on a pad-by-pad level in figure 54. From top to bottom, the distributions of t_0 , pulse width (std. dev.), and q_{Tot} are displayed. A specific pattern is seen in the t_0 and std. dev. distributions, which follows the layout of the SAMPA chip connection to the pad plane. The variations within a chip are rather small. Chip-by-chip variations reflect the expected production tolerances. Typical values are about 5 ns for the width (std. dev.) of the t_0 distribution and about 15 ns for the std. dev. distribution.

The q_{Tot} distribution also shows a distinct pattern. Firstly, the influence of the spacer cross (see section 3.1.2) can be observed around pad position 0 and pad-row position 32. In addition, a geometric pattern is seen for each of the four quadrants, with higher q_{Tot} values towards the respective center. The relative width (std. dev.) of the q_{Tot} distribution is about 12%. Since the pulser signal is induced by capacitive coupling, the distribution can be explained by mechanical variations of the 2 mm induction gap between GEM 4 and the pad plane.

6.4.3 Data taking with an x-ray generator

Data taken with an x-ray generator are used to study the ROC stability under high load, to determine the average ROC gain, and to study pad-wise gain variations. An Amptek Mini-X [66] x-ray generator with Ag anode was used to irradiate the upgraded TPC as part of the commissioning campaign. During the measurements, the generator is typically operated at 50 kV and a current of up to 80 μA . Figure 55 shows the position and orientation of the x-ray generator during data taking. X-rays from the generator mainly enter the active volume of the TPC through the central drum, where the material budget is low, whereas in the conical parts of the containment vessel, most of the incident radiation is absorbed due to thermal screens made of aluminium. The irradiated region corresponds approximately to an opening angle of $\pm 30^\circ$, inside which the source has a rather uniform emission profile [66]. In total, about 2% of the produced x-rays convert inside the active TPC volume.

Intense x-ray irradiation, exposing simultaneously all GEM stacks of one TPC side, allows confirmation of the ROC stability under a load that is similar to that expected for operation of the

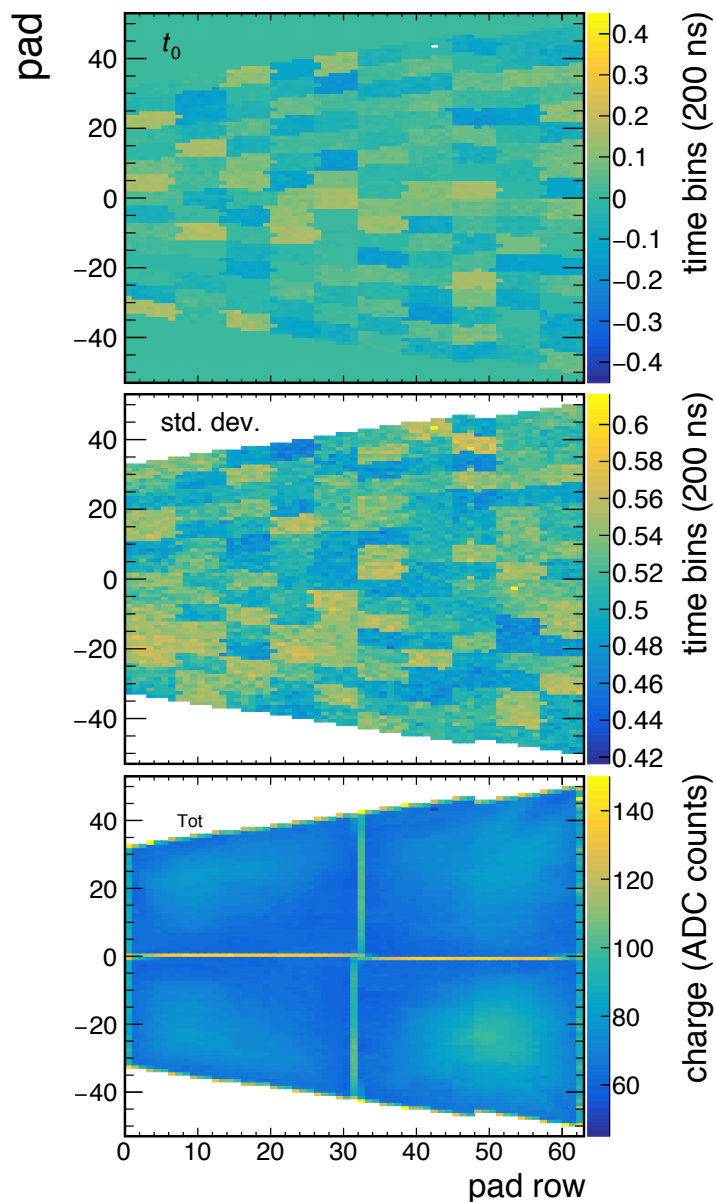


Figure 54. Typical signal response variations of the timing and shaping characteristics in an IROC. From top to bottom the weighted mean (t_0), pulse width (std. dev.) and the pulse-charge integral (q_{Tot}) are shown. See text for details.

TPC in LHC Run 3. At the start of the campaign, a few stacks exhibited sudden current excursions, followed by trips of the power supply. Such incidents ceased after about 10 h of irradiation. After this initial phase, no further signs of rate-induced instabilities were observed during the continued campaign with an integrated irradiation time of about 300 h.

To study gain variations over the active readout area, the x-ray ionization clusters are reconstructed. This is done by first finding local maxima in the recorded ADC values. A cluster is then defined by associating further ADC values around the maximum in all three spatial directions, radial (pad row), azimuthal (pad) and drift time (z), in a $3 \times 5 \times 5$ matrix. The total charge of

the cluster, q_{Tot} , corresponds to the sum of all associated ADC values and is proportional to the energy deposition of the x-ray photon. This 3D approach differs from the standard 2D cluster finding algorithm which is performed in radial direction for each pad row separately, reconstructing a cluster in azimuthal (pad) and drift time (z) direction. The discrete energy deposition of the x-rays may span several pad rows and, therefore, requires a dedicated algorithm.

The local gain is extracted from the q_{Tot} distributions of the x-ray clusters on a pad-by-pad level, see figure 56 for an example. The main peak at around 2800 ADC counts, for this specific channel, results from the K_{α} and K_{β} lines from the Ag anode of the x-ray generator at about 22 keV. The two lines are not separable due to the limited detector resolution. Further peaks at lower energies can be seen, which result from fluorescence in material hit by the x-rays. The spectrum is fitted with a function describing the different contributions, including the main and fluorescence peaks, as well as the background originating mainly from the bremsstrahlung continuum. The position of the main peak (red curve in figure 56) is used as an estimate for the gain.

Exemplarily, the resulting relative gain variations over the pad area of one full sector are shown in figure 57 (top). Topological gain variations over the pad area are expected due to manufacturing tolerances in the hole sizes (see section 3.3.3). This can be seen in the OROC 3 stack in figure 57 as horizontal regions with lower and higher gain. Additionally, specific regions with lower gain can be observed. Very prominently, the effect of the spacer cross (see section 3.1.2) is visible in each pad region. Moreover, a slightly lower gain can be observed along full pad rows (x -positions) resulting from the HV segment boundaries (see section 3.1.1). While in the IROC this can be observed in about every sixth pad-row, in the OROC 1, OROC 2 and OROC 3 about every fourth to second row is affected due to the increasing pad length. The lower gain along the edges of each pad region is due to acceptance effects. Slightly larger gain values can be observed in the corners of the four quadrants of the IROC. They result from field variations due to mechanical tolerances in the GEM foil spacings. These features are already seen in the coarse gain scan during the chamber-production QA (see section 3.5.3), as well as in the results of the pulser measurements (see section 6.4.2). In the bottom plots of figure 57, the distributions of the relative gain variations in the different pad regions are shown. Pads in the region of the spacer cross as well as in the first and last padrow were removed. The gain variations in this specific sector have a spread of about 7.5%, 7.0%, 6.1% and 5.9% (std. dev.), in the IROC, OROC 1, OROC 2 and OROC 3, respectively. These variations are in accordance with the specifications.

The absolute gain of a stack can also be estimated from the spectrum of the total charge q_{Tot} of x-ray clusters in that stack, since the response of the detector, including the readout electronics, to a given energy deposition in the gas was studied in detailed microscopic simulations [3]. Thus, the gain relates to the ADC value of the total charge of 22 keV x-rays, which is approximately the average energy of the main peak of the spectrum, by a well-determined empirical factor. In addition, the currents in all GEM electrodes were measured during the x-ray irradiation campaigns. In particular, the GEM 4 top currents allow a solid estimate of the average gain for every stack.

The baseline HV settings are shown in table 9. A first equalization of the gain was performed using the described gain calculation. The tuning of the gain on each stack was done by tuning the voltages in GEM 3 and GEM 4, and the induction field, ensuring that the potential on the GEM 1 top electrode remains uniform over all stacks. Figure 58 shows, as an example, the estimated gain before and after the gain equalization for the A side. The gains before equalization were in general

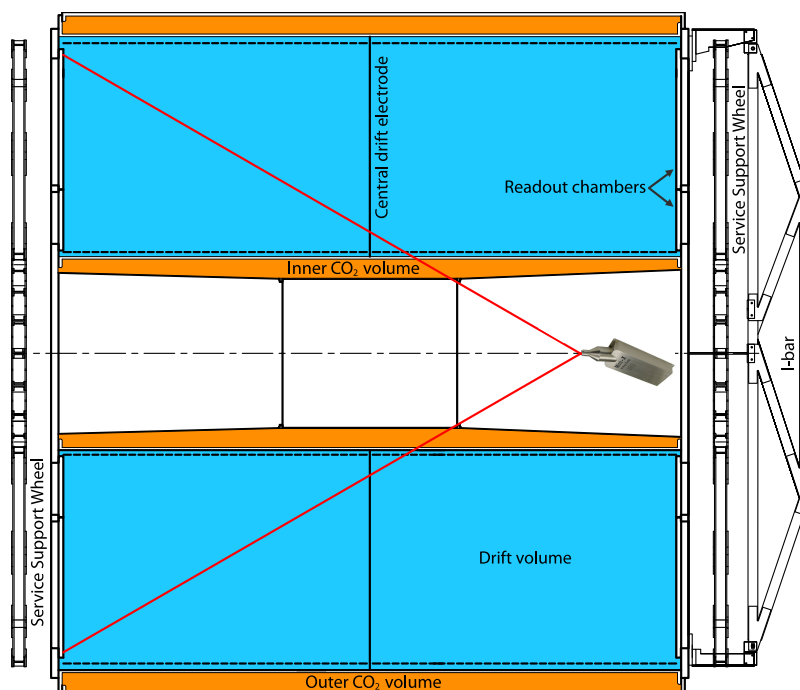


Figure 55. Positioning of the x-ray generator for the irradiation of one side of the TPC. The red lines indicate the opening angle of $\pm 30^\circ$, in which the x-ray generator provides a uniform emission profile. The z -position of the x-ray generator was chosen such that the central drum is entirely inside this region. The opposite side of the TPC can be irradiated as well by moving the source accordingly.

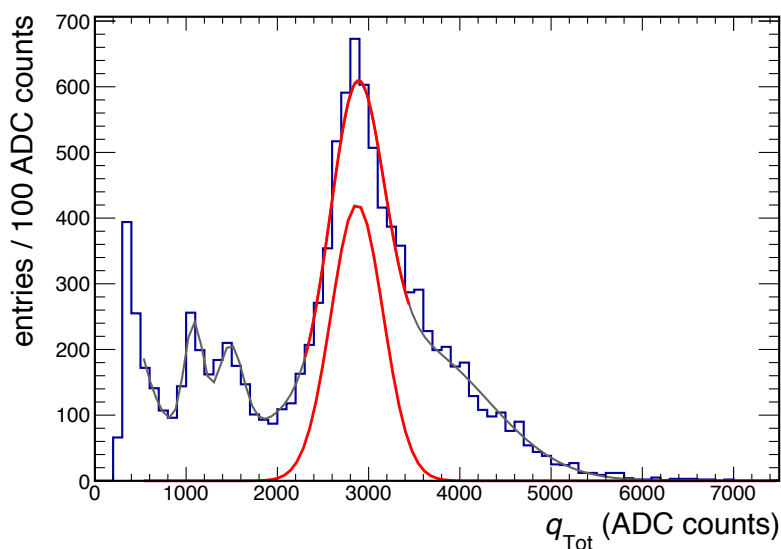


Figure 56. Reconstructed x-ray spectrum in a single pad. A function describing the main and fluorescence peaks, as well as background contributions including bremsstrahlung, is fit to the spectrum. The red line shows the contribution of the main peak.

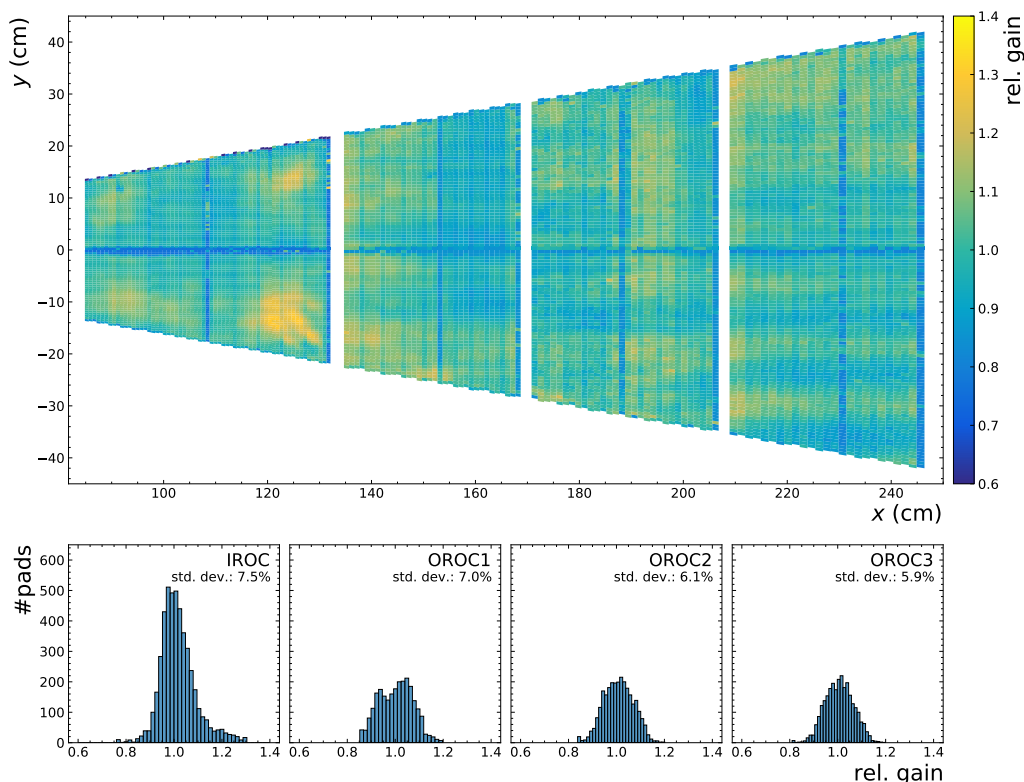


Figure 57. Two-dimensional gain map extracted from reconstructed x-ray clusters in one sector (top), and one-dimensional gain distributions in the separate pad regions (bottom). For details, see text.

higher than nominal (2000), and show variations of up to a factor of three. The equalized gains are on average slightly lower than nominal, and superimposed with a residual sinusoidal modulation due to the imperfect alignment of the generator with the z -axis of the TPC. A more robust gain equalization with a ^{83}Kr source, which is typically performed shortly before every years data taking with beams, is expected to fully equalize the gains in all stacks to the nominal value.

6.4.4 Data taking with the laser calibration system and with random cosmic triggers

Data samples using the laser system and random triggers to select cosmic tracks were recorded during the commissioning campaign. They are useful to verify the complete data reconstruction chain from raw data to reconstructed tracks. The data are also used to develop calibration procedures, such as the drift velocity calibration using reconstructed laser tracks.

Figure 59 shows the measured ADC values of laser events on the A side (left) and C side (right). Data from different runs are merged in order to assemble a full event display. The specific pattern created by the laser beam optics (see [5]) is clearly visible. The same pattern is created in four planes parallel to the readout plane on each side at $z \approx \pm 115, \pm 820, \pm 1660, \pm 2440$ mm, where positive/negative positions are on the A and C side, respectively.

Figure 60 shows clusters of a reconstructed cosmic track crossing the full TPC. This demonstrates the integrity of the complete reconstruction chain. The panels show projections in the x - y and r - z planes.

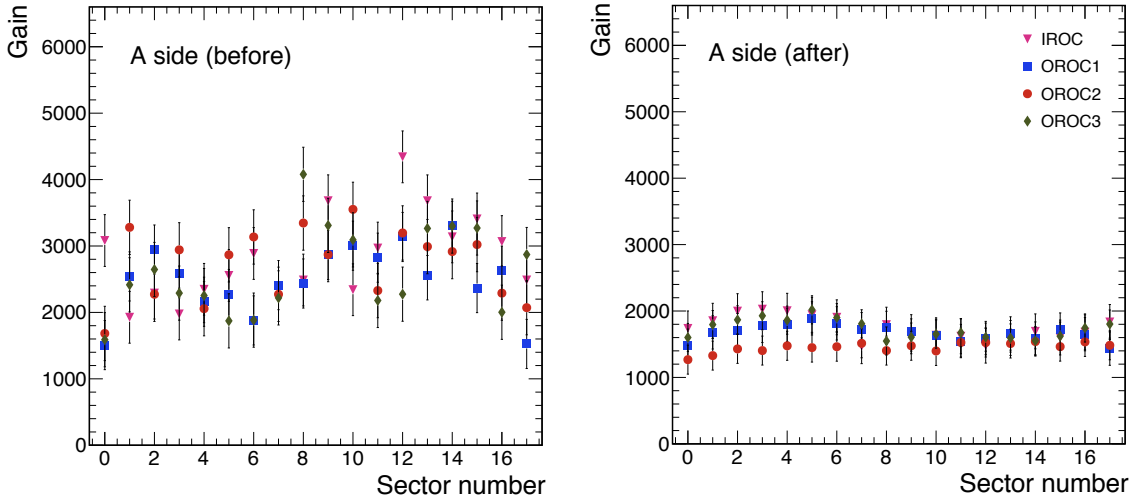


Figure 58. Gain of all stacks on the A side before (left) and after (right) gain equalization. The azimuthal modulation of the data stems from a slight misalignment of the x-ray generator.

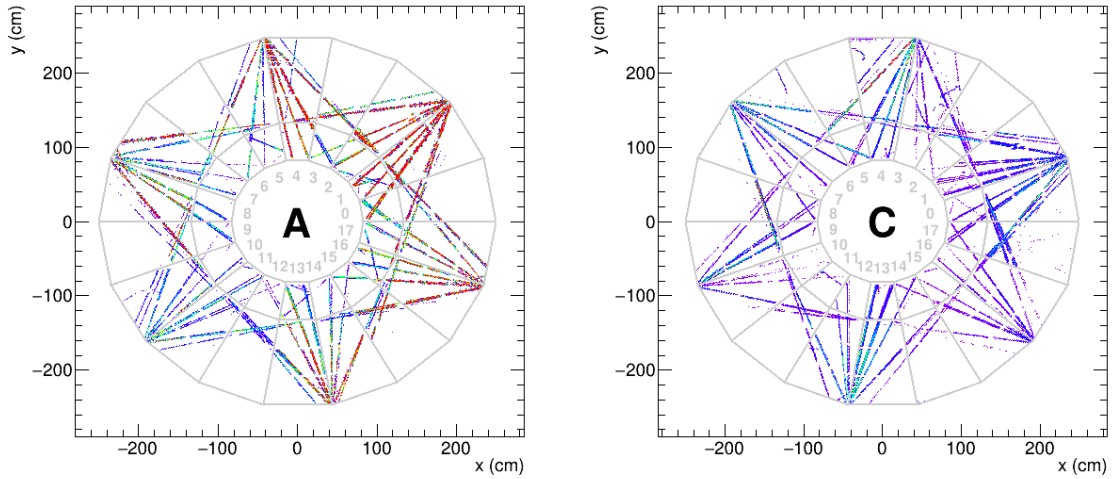


Figure 59. Reconstructed ADC values from laser tracks, left for the A side and right for the C side. Data taken consecutively for different sectors are merged in order to display them together.

7 Conclusions

The challenges to the ALICE TPC derived from the LHC Run3 and Run4 scenario, namely continuous readout at full Pb–Pb luminosity, while preserving the detector performance, resulted in the choice of a new technology for the readout chambers and an entirely new readout scheme. Gas amplification structures based on GEMs, a relatively recent development providing high-rate capability, were optimized in an effort to limit the space-charge distortions in the 2.5 m long drift volumes, and at the same time preserve the particle identification of the TPC. A quadruple GEM stack with two large-pitch foils in the inner layers, and a novel field configuration is the result of this optimization work. The selected gas, Ne-CO₂-N₂ (90-10-5), fulfills the performance requirements and provides robustness against primary discharges. A dedicated HV powering scheme, which

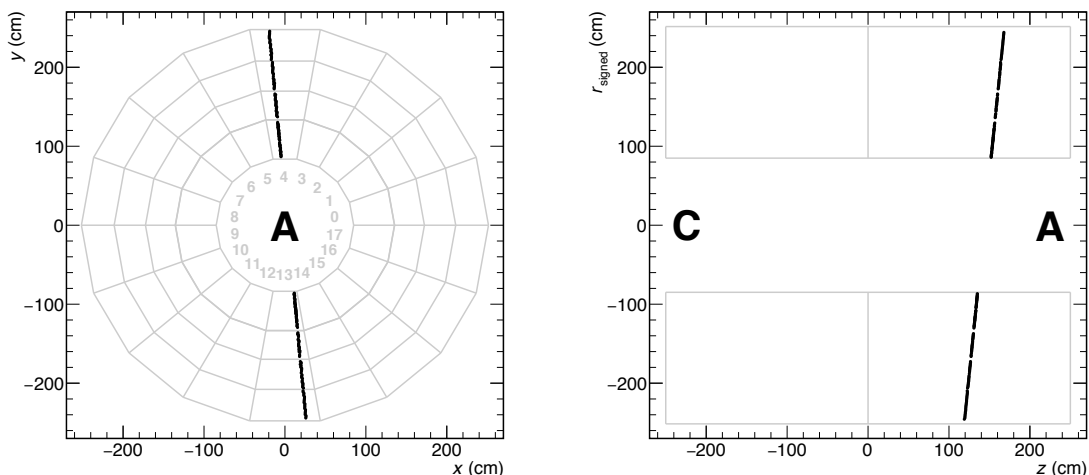


Figure 60. Clusters of a reconstructed cosmic track crossing the full TPC. The x - y -projection is shown on the left and the r - z -projection on the right panel, where the radial position is negative for the lower half of the TPC for visualization.

includes hardware protection measures and advanced software interlocks, ensures a safe operation of the detectors. The newly designed pad plane provides convenient connectors to accommodate front-end cards based on the ALICE-specific SAMPA chip, and multiple optical readout through GBT technology. The construction of the new readout chambers involved several institutes where the subsequent steps in the construction, from foil qualification to foil framing and readout chamber assembly, were preceded and followed by strict quality assurance protocols, including the irradiation of all completed readout chambers in high particle-load environments. In parallel, the readout electronics were developed and manufactured at a high yield. During the LHC Long Shutdown 2, the TPC was brought to the surface, where the old wire chambers were removed, the field cage was adapted to new voltage settings, the new readout chambers were installed, and the new FECs connected. The upgraded TPC then underwent a thorough testing campaign in order to certify full conformity with the specifications, prior to its descending back into the experimental cavern.

Acknowledgments

The ALICE TPC collaboration would like to warmly thank the ALICE Technical Coordination team for their constant support in the realisation of this upgrade; the CERN RD51 team for their close collaboration and interest in the project; the CERN PCB workshop for the efficient production of the GEM foils; the CERN accelerator teams for the operation of the Proton Synchrotron and the Super Proton Synchrotron during the test beam campaigns; the CERN GIF++ team for their help and support during the photon irradiation campaigns; the CERN gas group and the CERN cooling and ventilation group for the prompt implementation of various hardware arrangements. Special thanks are also given to the CERN transport crew for the transportation of our delicate detectors around different sites of the laboratory.

Furthermore, the ALICE TPC collaboration acknowledges the following funding agencies for their support in the TPC Upgrade: Fundação de Amparo à Pesquisa do Estado de São Paulo

(FAPESP), Brasil; Ministry of Science and Education, Croatia; The Danish Council for Independent Research, Natural Sciences, the Carlsberg Foundation and Danish National Research Foundation (DNRF), Denmark; Helsinki Institute of Physics (HIP) and Academy of Finland, Finland; Bundesministerium für Bildung, Wissenschaft, Forschung und Technologie (BMBF), GSI Helmholtzzentrum für Schwerionenforschung GmbH, DFG Cluster of Excellence “Origin and Structure of the Universe”, The Helmholtz International Center for FAIR (HIC for FAIR) and the ExtreMe Matter Institute EMMI at the GSI Helmholtzzentrum für Schwerionenforschung, Germany; National Research, Development and Innovation Office, Hungary; Nagasaki Institute of Applied Science (IIST) and the University of Tokyo, Japan; Fondo de Cooperación Internacional en Ciencia y Tecnología (FONCICYT), Mexico; The Research Council of Norway, Norway; Ministry of Science and Higher Education and National Science Centre, Poland; Ministry of Education and Scientific Research, Institute of Atomic Physics and Ministry of Research and Innovation, and Institute of Atomic Physics, Romania; Ministry of Education, Science, Research and Sport of the Slovak Republic, Slovakia; Swedish Research Council (VR), Sweden; U.S. Department of Energy, Office of Nuclear Physics (DOE NP), United States of America.

References

- [1] ALICE collaboration, *Upgrade of the ALICE Experiment: Letter Of Intent*, *J. Phys. G* **41** (2014) 087001.
- [2] F. Sauli, *GEM: A new concept for electron amplification in gas detectors*, *Nucl. Instrum. Meth. A* **386** (1997) 531.
- [3] ALICE collaboration, *Upgrade of the ALICE Time Projection Chamber*, CERN-LHCC-2013-020 (2013) [ALICE-TDR-016].
- [4] F.V. Böhmer et al., *Simulation of Space-Charge Effects in an Ungated GEM-based TPC*, *Nucl. Instrum. Meth. A* **719** (2013) 101 [arXiv:1209.0482].
- [5] J. Alme et al., *The ALICE TPC, a large 3-dimensional tracking device with fast readout for ultra-high multiplicity events*, *Nucl. Instrum. Meth. A* **622** (2010) 316 [arXiv:1001.1950].
- [6] ALICE collaboration, *Performance of the ALICE Experiment at the CERN LHC*, *Int. J. Mod. Phys. A* **29** (2014) 1430044 [arXiv:1402.4476].
- [7] ALICE collaboration, *ALICE time projection chamber: Technical Design Report*, CERN-LHCC-2000-001 [ALICE-TDR-7] (2000).
- [8] F. Sauli, S. Kappler and L. Ropelewski, *Electron collection and ion feedback in GEM-based detectors*, *IEEE Trans. Nucl. Sci.* **50** (2003) 803.
- [9] ALICE collaboration, *Addendum to the Technical Design Report for the Upgrade of the ALICE Time Projection Chamber*, CERN-LHCC-2015-002 (2015) [ALICE-TDR-016-ADD-1].
- [10] A. Deisting, C. Garabatos, A. Szabo and D. Vranic, *Measurements of ion mobility in argon and neon based gas mixtures*, *Nucl. Instrum. Meth. A* **845** (2017) 215 [arXiv:1603.07638].
- [11] A. Deisting, C. Garabatos and A. Szabo, *Ion mobility measurements in Ar-CO₂, Ne-CO₂, and Ne-CO₂-N₂ mixtures, and the effect of water contents*, *Nucl. Instrum. Meth. A* **904** (2018) 1 [arXiv:1804.10288].

- [12] P. Gasik, A. Mathis, L. Fabbietti and J. Margutti, *Charge density as a driving factor of discharge formation in GEM-based detectors*, *Nucl. Instrum. Meth. A* **870** (2017) 116 [[arXiv:1704.01329](#)].
- [13] C. Garabatos, *The ALICE TPC*, *Nucl. Instrum. Meth. A* **535** (2004) 197.
- [14] S. Biagi, *Magboltz 2*, [CERN-CNL-ARTICLE-2000-048](#) (2000).
- [15] R. Veenhof, *Garfield — simulation of gaseous detectors*, (2010) <http://garfield.web.cern.ch>.
- [16] CERN EP-DT-DD, *Micro-Pattern Technologies*, <https://ep-dep-dt.web.cern.ch/micro-pattern-technologies>.
- [17] M. Villa et al., *Progress on large area GEMs*, *Nucl. Instrum. Meth. A* **628** (2011) 182 [[arXiv:1007.1131](#)].
- [18] A. Mathis, *From gated to continuous readout: the GEM upgrade of the ALICE TPC*, *PoS MPGD2017* (2019) 055 [[arXiv:1803.04140](#)].
- [19] Von Roll Holding AG, *Vetronite EGS 103*, <https://www.vonroll.com>.
- [20] P. Gasik, *Building a large-area GEM-based readout chamber for the upgrade of the ALICE TPC*, *Nucl. Instrum. Meth. A* **845** (2017) 222 [[arXiv:1606.04147](#)].
- [21] C. Altunbas et al., *Construction, test and commissioning of the triple-GEM tracking detector for COMPASS*, *Nucl. Instrum. Meth. A* **490** (2002) 177.
- [22] D. Abbaneo et al., *Layout and Assembly Technique of the GEM Chambers for the Upgrade of the CMS First Muon Endcap Station*, *Nucl. Instrum. Meth. A* **918** (2019) 67 [[arXiv:1812.00411](#)].
- [23] M. Ball, K. Eckstein and T. Gunji, *Ion backflow studies for the ALICE TPC upgrade with GEMs*, *2014 JINST* **9** C04025.
- [24] M. Berger et al., *A Large Ungated TPC with GEM Amplification*, *Nucl. Instrum. Meth. A* **869** (2017) 180 [[arXiv:1702.05093](#)].
- [25] F.V. Böhmer et al., *First measurement of dE/dx with a GEM-based TPC*, *Nucl. Instrum. Meth. A* **737** (2014) 214.
- [26] G. Bencivenni et al., *A triple GEM detector with pad readout for high rate charged particle triggering*, *Nucl. Instrum. Meth. A* **488** (2002) 493.
- [27] M. Bozzo et al., *Design and construction of the triple GEM detector for TOTEM*, in proceedings of the *IEEE Symposium Conference Record Nuclear Science 2004*, Rome, Italy, 16–22 October 2004, pp. 447-450.
- [28] S. Bachmann et al., *Discharge studies and prevention in the gas electron multiplier (GEM)*, *Nucl. Instrum. Meth. A* **479** (2002) 294.
- [29] P. Gasik, *Discharge probability studies with multi-GEM detectors for the ALICE TPC Upgrade*, *PoS MPGD2017* (2019) 031 [[arXiv:1807.02979](#)].
- [30] V. Peskov and P. Fonte, *Research on discharges in micropattern and small gap gaseous detectors*, [arXiv:0911.0463](#).
- [31] A. Deisting et al., *Secondary discharge studies in single and multi GEM structures*, *Nucl. Instrum. Meth. A* **937** (2019) 168 [[arXiv:1901.06035](#)].
- [32] L. Lautner, L. Fabbietti, P. Gasik and T. Klemenz, *High voltage scheme optimization for secondary discharge mitigation in GEM-based detectors*, *2019 JINST* **14** P08024 [[arXiv:1906.06721](#)].
- [33] M. Jung, *Ageing tests with Gas Electron Multipliers for the ALICE TPC Upgrade*, Master's Thesis, Goethe-Universität Frankfurt am Main, Frankfurt am Main Germany (2019).

- [34] Huntsman Advanced Materials, *Araldite 2011*, http://www.huntsman.com/advanced_materials.
- [35] R. Bouclier et al., *New observations with the gas electron multiplier (GEM)*, *Nucl. Instrum. Meth. A* **396** (1997) 50.
- [36] Y. Vetter, *On charge-up effects and gain stability for the ALICE TPC Upgrade with GEMs*, Master's Thesis, Heidelberg University, Heidelberg Germany (2015) and online pdf version at https://www.physi.uni-heidelberg.de/Publications/BA_YV_Complete.pdf.
- [37] P. Hauer et al., *Measurements of the Charging-Up Effect in Gas Electron Multipliers*, *Nucl. Instrum. Meth. A* **976** (2020) 164205 [arXiv:1911.01848].
- [38] M. Aggarwal et al., *Particle identification studies with a full-size 4-GEM prototype for the ALICE TPC upgrade*, *Nucl. Instrum. Meth. A* **903** (2018) 215 [arXiv:1805.03234].
- [39] Almit GmbH, *Lead-Containing Solder Wire*, <https://www.almit.de>.
- [40] A. Utrobicic, M. Kovacic, F. Erhardt, N. Poljak and M. Planinic, *A floating multi-channel picoammeter for micropattern gaseous detector current monitoring*, *Nucl. Instrum. Meth. A* **801** (2015) 21.
- [41] M. Ball, B. Ketzer, J. Ottnad, V. Ratza and S. Urban, *Quality assurance of GEM foils for the upgrade of the ALICE TPC*, *2017 JINST* **12** C01081.
- [42] J.E. Brücken and T.E. Hildén, *The GEM QA Protocol of the ALICE TPC Upgrade Project*, *PoS MPGD2017* (2019) 073 [arXiv:1811.07043].
- [43] J.E. Brücken and T.E. Hildén, *GEM Foil Quality Assurance For The ALICE TPC Upgrade*, *EPJ Web Conf.* **174** (2018) 03004 [arXiv:1704.06310].
- [44] T.E. Hildén, J.E. Brücken, D. Varga and M. Vargyas, *GEM foil gain prediction*, *PoS MPGD2017* (2019) 010.
- [45] T.E. Hildén et al., *Optical quality assurance of GEM foils*, *Nucl. Instrum. Meth. A* **770** (2015) 113 [arXiv:1704.06691].
- [46] M. Vargyas, *Jet shape modification in Pb–Pb collisions at $\sqrt{s_{NN}} = 2.76$ TeV using two-particle correlations*, Ph.D. Thesis, University of Jyväskylä, Jyväskylä Finland (2018) [ISBN: 978–951–39–7610–1] and online at <https://jyx.jyu.fi/handle/123456789/60181>.
- [47] P. Gasik, *Development of GEM-based Read-Out Chambers for the upgrade of the ALICE TPC*, *2014 JINST* **9** C04035.
- [48] ASM Assembly Systems GmbH & Co., *DEK VectorGuard High Tension Frame*, <https://www.asm-smt.com/>.
- [49] M. Capéans-Garrido, R. Fortin, L. Linssen, M. Moll and C. Rembser, *A GIF++ Gamma Irradiation Facility at the SPS H4 Beam Line*, *CERN-SPSC-2009-029* (2009) [SPSC-P-339].
- [50] M.R. Jäkel et al., *CERN-GIF++: a new irradiation facility to test large-area particle detectors for the high-luminosity LHC program*, *PoS TIPP2014* (2014) 102.
- [51] CAEN S.p.A., *CAEN A1515*, <https://www.caen.it/products/a1515b/>.
- [52] Y. Anastasopoulos, *A fast GEM HV analogue current readout system for the ALICE TPC upgrade at CERN LHC*, Master's Thesis, Heidelberg University, Heidelberg Germany (2018).
- [53] LEMO S.A., *High voltage connector Redel K/S*, <https://www.lemo.com/en/products/high-voltage-connector/redel-ks>.
- [54] ETM Professional Control, *WinCC-OA*, <http://www.etm.at>.

- [55] P. Gasik, *Quadruple GEM PCB simulator*, in *GSI Scientific Report 2016*, GSI Helmholtzzentrum für Schwerionenforschung GmbH, Darmstadt Germany (2017), p. 145 [GSI Report 2017-1] [<https://doi.org/10.15120/GR-2017-1>].
- [56] H. Appelshäuser, M. Arslanok, M. Ivanov, C. Lippmann and J. Wiechula, *Readout scheme of the upgraded ALICE TPC*, *ALICE-PUBLIC-2016-006* (2016).
- [57] H. Hernández et al., *A monolithic 32-Channel Front End and DSP ASIC for Gaseous Detectors*, *IEEE Trans. Instrum. Meas.* **69** (2020) 2686.
- [58] P. Moreira et al., *The GBT Project*, in proceedings of the *Topical Workshop on Electronics for Particle Physics (TWEPP09)*, Paris, France, 21–25 September 2009, pp. 342–346.
- [59] P. Moreira et al., *GBT Project*, CERN, Geneva Switzerland (2018).
- [60] C. Soós et al., *The Versatile transceiver: Towards production readiness*, *2013 JINST* **8** C03004.
- [61] A. Caratelli et al., *The GBT-SCA, a radiation tolerant ASIC for detector control and monitoring applications in HEP experiments*, *2015 JINST* **10** C03034.
- [62] A. Caratelli et al., *GBT-SCA, The slow control adapter ASIC for the GBT system*, CERN, Geneva Switzerland (2019).
- [63] ALICE collaboration, *Upgrade of the ALICE Readout & Trigger System*, *CERN-LHCC-2013-019* (2013) [ALICE-TDR-015].
- [64] R. Martin Lesma et al., *The Versatile Link Demo Board (VLDB)*, *2017 JINST* **12** C02020.
- [65] P. Leitao et al., *Test bench development for the radiation Hard GBTX ASIC*, *2015 JINST* **10** C01038.
- [66] Amptek, Inc., *Mini-X2 X-Ray Tube System for XRF*, <https://www.amptek.com/products/x-ray-sources/mini-x2-ray-tube>.