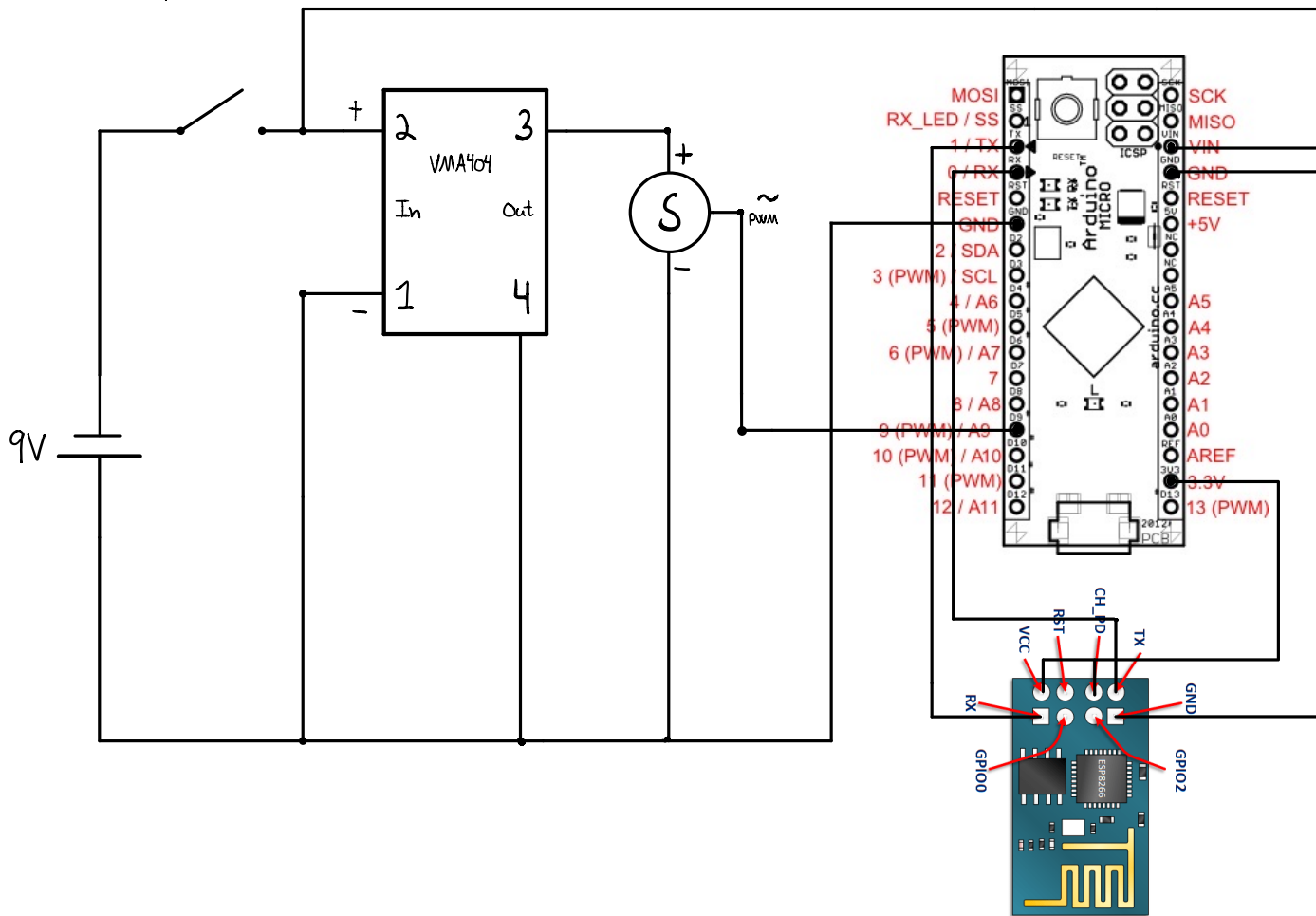


Prototype circuit 1:



Prototype circuit 2:

